

SONY

Subwoofer

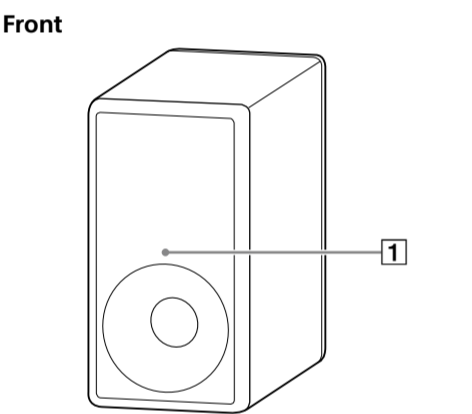


5-011-530-61(2)
©2021 Sony Corporation Printed in Malaysia

About compatible models for the subwoofer

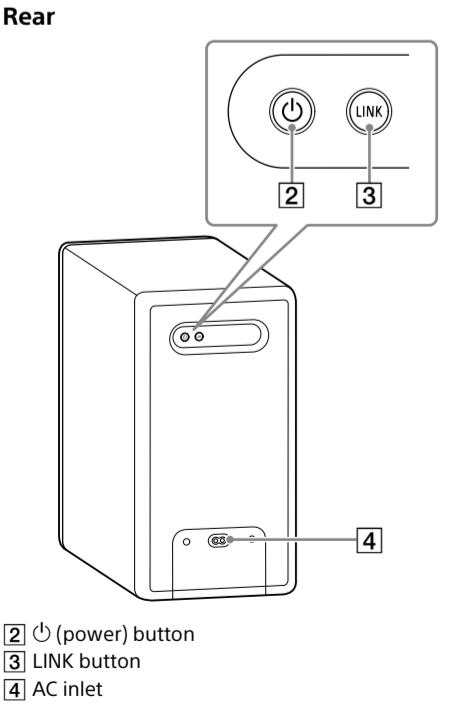
The SA-SW3 subwoofer works only with the specified model. For information about compatible models, visit Sony's website. In these Operating Instructions, the operations are described for the subwoofer used with the compatible model HT-A7000 or HT-A9.

Parts and Controls



- 1** Power indicator
 - Flashes slowly (green): The subwoofer is not connected to a compatible model.
 - Lights up (green): The subwoofer is connected to a compatible model.
 - Flashes twice repeatedly (green): The subwoofer is attempting to connect to a compatible model.
 - Flashes/lights up (amber): The software is updating.
 - Lights up (red): The subwoofer is in standby mode.
 - Turns off: The subwoofer is turned off.

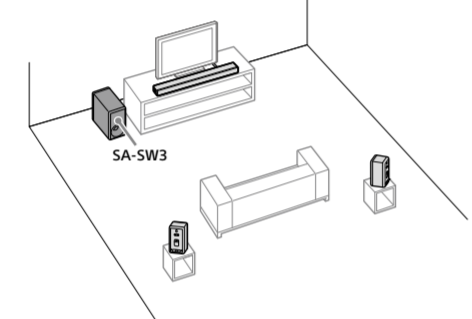
Note
The brightness of the power indicator syncs with the DIMMER settings of a compatible model.



- 2** (power) button
- 3** LINK button
- 4** AC inlet

Installation

The following illustration is the installation example to use the subwoofer with the compatible model HT-A7000 and optional rear speakers.



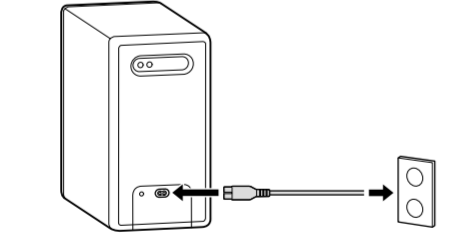
- 1 Install the subwoofer in the place that you want.**
You can install the subwoofer in the place that you want because the output sound from it has no directivity. The above illustration is the example for installation of the subwoofer.

Tip
To obtain a good surround sound, set the subwoofer distance from your listening position by using the setup menu of a compatible model. For details, refer to the Operating Instructions supplied with a compatible model.

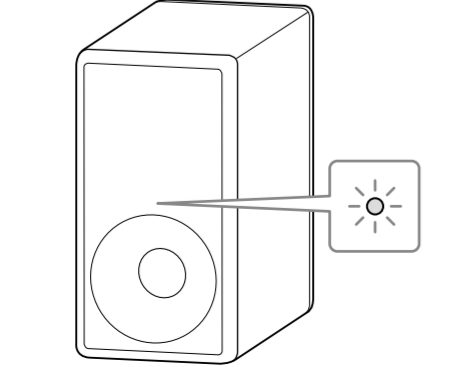
Connection

Tip
You can connect the optional rear speaker with a compatible model in the following way when installing it too.

- 1 Turn on a compatible model.**
- 2 Connect the AC power cord (mains lead) (supplied) to the subwoofer, and then connect the cord to the AC outlets (mains).**



- 3 Make sure that the power indicator on the subwoofer lights in green.**
When the power indicator lights in green, the connection between the subwoofer and a compatible model is established. If the connection is not established, connect the subwoofer to a compatible model manually. For details, see "If the Connection is not Established Automatically".



If the Connection is not Established Automatically

If you cannot connect the subwoofer to a compatible model automatically or you use multiple compatible models and want to specify the compatible model for connecting the subwoofer, perform the manual connection.
The following operation is described for the subwoofer used with the compatible model HT-A7000 or HT-A9. Use the remote control supplied with the compatible model HT-A7000 or HT-A9 when performing this operation. If you use other compatible models, refer to the Operating Instructions supplied with them.

- 1 Press HOME.**
The home menu appears on the TV screen.
- 2 Select [Setup] - [Advanced Settings] on the home menu.**
- 3 Select [Speaker Settings] - [Wireless Speaker Settings] - [Start manual linking].**
The [Start manual linking] screen appears on the TV screen.
- 4 Press LINK on the subwoofer.**
The power indicator of the subwoofer that had LINK pressed flashes twice repeatedly in green.
- 5 Select [Start].**
The manual link starts. The connecting process appears on the TV screen. To cancel the manual link, select [Cancel].
- 6 When [Subwoofer] display [Connected], select [Finish].**
- 7 Press (power).**
The link is established and the power indicator of the subwoofer lights in green.

Note

- If you perform [Start manual linking], [Link mode] of [Wireless Speaker Settings] is set to [Manual] automatically.
- Only the speakers for which [Connected] has been displayed in Step 6 connect to a compatible model. If the connection of the subwoofer cannot be established, perform the manual connection again.

If Wireless Transmission is Unstable

If you use multiple wireless systems, such as a wireless LAN, the wireless signals may become unstable. In this case, the transmission may be improved by changing the following setting. The following operation is described for the subwoofer used with the compatible model HT-A7000 or HT-A9. Use the remote control supplied with the compatible model HT-A7000 or HT-A9 when performing this operation. If you use other compatible models, refer to the Operating Instructions supplied with them.

- 1 Press HOME.**
The home menu appears on the TV screen.
- 2 Select [Setup] - [Advanced Settings] on the home menu.**
- 3 Select [Speaker Settings] - [Wireless Speaker Settings] - [RF Channel].**
- 4 Select the setting you want.**
 - [On] (default setting): Normally select this. The system automatically selects the better channel for transmission. Stronger mode for wireless interference.
 - [Off]: The system selects a channel from the limited frequency band to prevent external wireless interference. If sound dropping occurs while [On] is selected, it may be improved by selecting [Off].

Note

- If you change the [RF Channel] setting from [Off] to [On], it may take 1 minute to reconnect.
- A compatible model may not meet this setting depending on countries/regions where you purchase it.

Troubleshooting

If you experience any of the following difficulties while using the subwoofer, use this troubleshooting guide to help remedy the problem before requesting repairs. Should any problem persist, consult your nearest Sony dealer.
Be sure to bring all of your subwoofer, a compatible model and optional rear speakers (not supplied) even if it seems as though only one has a problem, when you request to repair. The following solutions are described for the subwoofer used with the compatible model HT-A7000 or HT-A9. If you use other compatible models, refer to the Operating Instructions supplied with them.

No sound or only a very low-level sound is heard from the subwoofer.

- Press SW \swarrow + or BASS + on the remote control of a compatible model to increase the subwoofer volume.
- Make sure that the power indicator on the subwoofer is lit in green.
- If the power indicator on the subwoofer does not light, try the following.
 - Make sure the AC power cord (mains lead) of the subwoofer is connected properly.
 - Press (power) of the subwoofer to turn on the power.
- If the power indicator on the subwoofer flashes slowly in green or lights in red, try the following.
 - Move the subwoofer to a location near a compatible model so that the power indicator on the subwoofer lights in green.
 - Follow the steps in "If the Connection is not Established Automatically."

- Check the wireless connection status. For details, refer to the Operating Instructions supplied with a compatible model.

- If the power indicator on the subwoofer flashes in red, press (power) of the subwoofer to turn off the power and check whether the ventilation holes of the subwoofer is blocked or not.
- If the input sources contain very little bass sound components (i.e., a TV broadcast), the sound from the subwoofer may be difficult to hear. You can check the subwoofer sound by emitting the test tone.
- Set the night mode to off. For details, refer to the Operating Instructions supplied with a compatible model.
- If you change the [RF Channel] setting from [Off] to [On], it may take 1 minute for the sound to be output.

Sound skips or has noise.

- If there is a device nearby that generates electromagnetic waves, such as a wireless LAN or a microwave oven in use, locate the subwoofer and a compatible model apart from it.
- If there is an obstacle between the subwoofer and a compatible model, move or remove it.
- Locate the subwoofer and a compatible model as close as possible.
- Change the [RF Channel] setting.
- Switch the network connection of the TV or Blu-ray Disc player from wireless to wired.

Specifications

POWER OUTPUT (reference)
200 W (at 2 ohms, 100 Hz)

Speaker system
Subwoofer speaker system, Bass reflex

Speaker
160 mm cone type

Power requirements
Models for Taiwan:
120 V AC, 50 Hz/60 Hz
Models for other countries/regions:
220 V - 240 V AC, 50 Hz/60 Hz

Power consumption
On: 40 W
Standby mode: 1 W or less
Turned off: 0.5 W or less

Dimensions (approx.) (w/h/d)
201 mm x 382.5 mm x 402 mm (not including projection portion)

Mass (approx.)
9.0 kg

Wireless transmitter/receiver section

Communication system
Wireless Sound Specification Version 4.0

Frequency band
5 GHz

Modulation method
OFDM

Included items

- Subwoofer (1)
- AC power cord (mains lead) (1)
- Operating Instructions (1)

Important information on software

This product contains software that is subject to the GNU General Public License ("GPL") or GNU Lesser General Public License ("LGPL"). These establish that customers have the right to acquire, modify, and redistribute the source code of said software in accordance with the terms of the GPL or the LGPL.

For the method to confirm the GPL, LGPL and other software licenses contained in the subwoofer, please refer to the Operating Instructions of a compatible model.

When you use the compatible model HT-A7000 or HT-A9, please refer to [Software License Information] under [Setup] - [Advanced Settings] - [System Settings] on the home menu.

You may find a copy of the relevant source code as required under the GPLv2 (and other licenses) at <https://oss.sony.net/Products/Linux>

You may obtain the source code as required by the GPLv2 on a physical medium from us for a period of three years after our last shipment of this product by applying through the form at <https://oss.sony.net/Products/Linux>
This offer is valid to anyone in receipt of this information.

Please note that Sony cannot answer or respond to any inquiries regarding the content of this source code.

All other trademarks are trademarks of their respective owners.

WARNING

Do not install the subwoofer in a confined space, such as a bookcase or built-in cabinet.

To reduce the risk of fire, do not cover the ventilation opening of the subwoofer with newspapers, tablecloths, curtains, etc.
Do not expose the subwoofer to naked flame sources (for example, lighted candles).

To reduce the risk of fire or electric shock, do not expose this subwoofer to dripping or splashing, and do not place objects filled with liquids, such as vases, on the subwoofer.

The subwoofer is not disconnected from the mains as long as it is connected to the AC outlet, even if the subwoofer itself has been turned off.

As the main plug is used to disconnect the subwoofer from the mains, connect the subwoofer to an easily accessible AC outlet. Should you notice an abnormality in the subwoofer, disconnect the main plug from the AC outlet immediately.

Do not place this product close to medical devices

This product (including accessories) has magnet(s) which may interfere with pacemakers, programmable shunt valves for hydrocephalus treatment, or other medical devices. Do not place this product close to persons who use such medical devices. Consult your doctor before using this product if you use any such medical device.

Indoor use only.

The operations near the radar system shall not be influenced.

The directed antenna with high gain must apply to the fixed point-to-point system only.

Precautions

On safety

- Should any solid object or liquid fall into the subwoofer, unplug the system and have it checked by qualified personnel before operating it any further.
- Do not climb on the subwoofer, as you may fall down and injure yourself, or the subwoofer damage may result.

On power sources

- Before operating the subwoofer, check that the operating voltage is identical to your local power supply. The operating voltage is indicated on the nameplate at the rear of the subwoofer.
- If you are not going to use the subwoofer for a long time, be sure to disconnect the subwoofer from the wall outlet (mains). To disconnect the AC power cord (mains lead), grasp the plug itself; never pull the cord.
- One blade of the plug is wider than the other for the purpose of safety and will fit into the wall outlet (mains) only one way. If you are unable to insert the plug fully into the outlet, contact your dealer.
- AC power cord (mains lead) must be changed only at a qualified service shop.

On heat buildup

- Although the subwoofer heats up during operation, this is not a malfunction. If you continuously use this subwoofer at high volume, the subwoofer temperature at the rear and bottom rises considerably. To avoid burning yourself, do not touch the subwoofer.

On placement

- Do not place the subwoofer near heat sources or in a place subject to direct sunlight, excessive dust, or mechanical shock.
- Do not place metal objects other than a TV around the subwoofer. Wireless functions may be unstable.
- If the subwoofer is being used in combination with a TV, VCR, or tape deck, noise may result and picture quality may suffer. In such a case, place the subwoofer away from the TV, VCR, or tape deck.
- Use caution when placing the subwoofer on a surface that has been specially treated (with wax, oil, polish, etc.), as staining or discoloration of the surface may result.
- The speakers of this subwoofer are not of magnetically shielded type. Do not place magnetic cards on the subwoofer or near it.

If you encounter color irregularity on a nearby TV screen

Color irregularities may be observed on certain types of TV sets.

On cleaning

Clean the subwoofer with a soft, dry cloth. Do not use any type of abrasive pad, scouring powder, or solvent such as alcohol or benzene.

If you have any question or problem concerning your system, please consult your nearest Sony dealer.

SONY

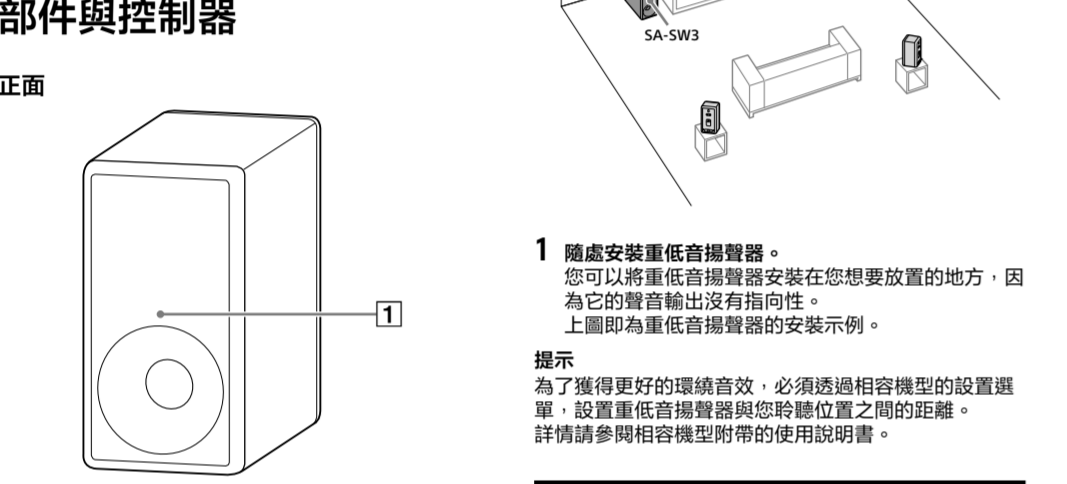
Subwoofer

Operating Instructions	GB
使用說明書	CT
	
	
	
	
	
	
	
	
	
	
	
	
SA-SW3	

關於重低音揚聲器的相容機型

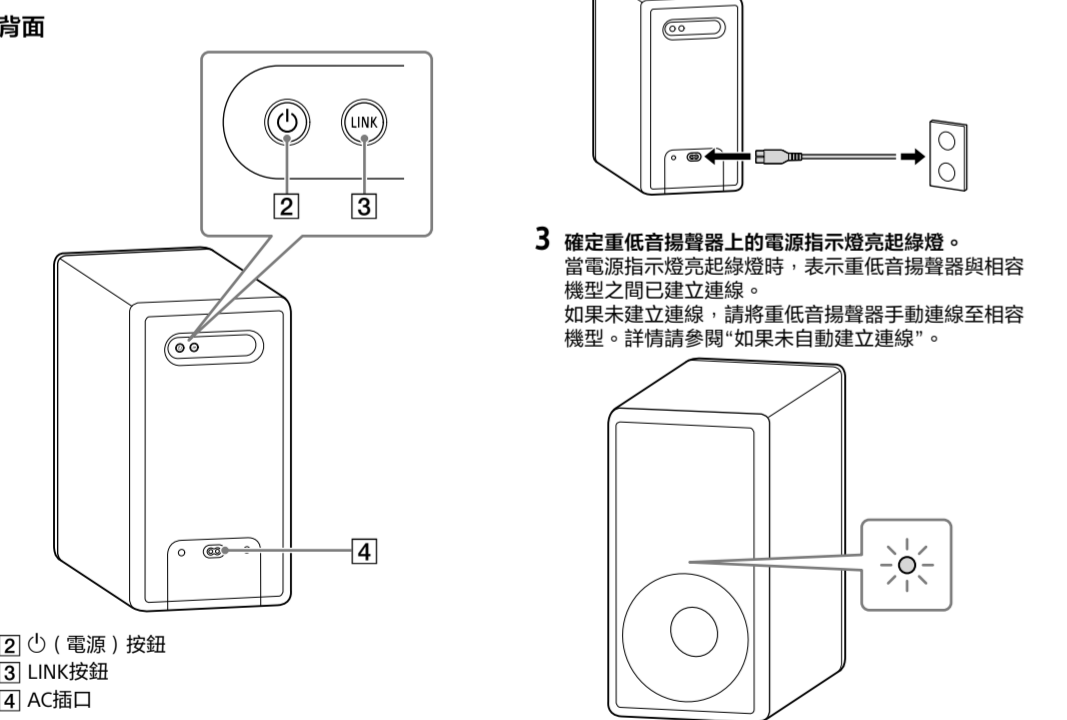
SA-SW3重低音揚聲器只能與指定型號配合使用。有關相容機型的資訊，請造訪Sony網站。本使用說明書介紹了重低音揚聲器與相容機型HT-A7000或HT-A9配合使用的操作。

部件與控制器



- 1** 電源指示燈
- 緩慢閃爍（綠色）：重低音揚聲器未連接至相容機型。
 - 長亮（綠色）：重低音揚聲器已連接至相容機型。
 - 反覆閃爍兩次（綠色）：重低音揚聲器正在嘗試連接相容機型。
 - 閃爍/長亮（琥珀色）：正在更新軟體。
 - 長亮（紅色）：重低音揚聲器處於待機模式。
 - 熄滅：重低音揚聲器電源已關閉。

註 電源指示燈的亮度與相容機型的DIMMER設置同步。




如果未自動建立連線
<p>如果重低音揚聲器與相容機型無法自動連線，或您使用了多個相容機型並想要指定某個相容機型連接重低音揚聲器，請執行手動連線。</p> <p>以下介紹了重低音揚聲器與相容機型HT-A7000或HT-A9配合使用的操作。執行此項操作時，請使用相容機型HT-A7000或HT-A9附帶的遙控器。如果使用其他相容機型，請參閱附帶的使用說明書。</p> <ol style="list-style-type: none"> 按HOME。 <p>主選單出現在電視機螢幕上。</p> 在主選單上選擇  [設置] - [進階設定]。 選擇[揚聲器設定] - [無線揚聲器設定] - [開始手動連接]。 <p>[開始手動連接]畫面出現在電視機螢幕上。</p> 按重低音揚聲器上的LINK。 <p>按LINK後，重低音揚聲器的電源指示燈反覆閃爍兩次綠燈。</p> 選擇[開始]。 <p>手動連結開始。</p> <p>連線進程出現在電視機螢幕上。</p> <p>若要取消手動連結，請選擇[取消]。</p> 當[重低音音箱]上顯示[已連線]，請選擇[完成]。 按  。 <p>已建立連結，且重低音揚聲器上的電源指示燈亮起綠燈。</p> <p>註</p> <ul style="list-style-type: none">如果執行[開始手動連接]，[無線揚聲器設定]的[連接模式]將自動設定為[手動]。 只有在步驟6中顯示了[已連線]的揚聲器才會連線至相容機型。如果無法建立重低音揚聲器的連線，請再次執行手動連線。
如果無線傳輸不穩定

如果您使用多個無線系統，例如無線LAN，則無線訊號可能不穩定。在此情況下，更改下列設定或許可以改善傳送。

以下介紹了重低音揚聲器與相容機型HT-A7000或HT-A9配合使用的操作。執行此項操作時，請使用相容機型HT-A7000或HT-A9附帶的遙控器。如果使用其他相容機型，請參閱附帶的使用說明書。

- 按HOME。**

主選單出現在電視機螢幕上。
- 在主選單上選擇  [設置] - [進階設定]。**
- 選擇[揚聲器設定] - [無線揚聲器設定] - [射頻頻道]。**
- 選擇您想要的設定。**
 - [開]（預設設定）：通常選擇此選項。系統會自動選擇較佳頻道進行傳送。針對無線干擾的增強模式。
 - [關]：系統從受限制的頻率波段中選擇一個頻道，以防止外部無線干擾。在選擇[開]之後，如果發生聲音下降現象，則選擇[關]或許能有所改善。


- 註**
- 如果將[射頻頻道]設定從[關]變更為[開]，則可能需要1分鐘後才能重新連線。
 - 視購買機型的國家/地區而定，相容機型可能不符合此設置。

故障排除

若您在使用重低音揚聲器時遇到任何以下問題，請在尋求維修之前使用此故障檢修指南以幫助您解決有關問題。若問題持續，請就近與Sony經銷商聯絡。在請求維修時，必須將重低音揚聲器、相容機型和可運的後置揚聲器（無附帶）一起帶上，即使看似只是其中之一有問題。

以下介紹了重低音揚聲器與相容機型HT-A7000或HT-A9配合使用的解決方案。如果使用其他相容機型，請參閱附帶的使用說明書。

重低音揚聲器沒有聲音或只聽到極細微的聲音。

- 按相容機型遙控器上的SW  +或BASS +，增加重低音揚聲器的音量。
- 確定重低音揚聲器上的電源指示燈亮起綠燈。
- 如果重低音揚聲器上的電源指示燈沒有亮起，請嘗試以下操作。
 - 確保重低音揚聲器的交流電源線已連接妥當。
 - 按重低音揚聲器的⏻（電源）以開啟電源。
- 如果重低音揚聲器上的電源指示燈緩慢閃爍綠燈或是亮起紅燈，請嘗試以下操作。
 - 將重低音揚聲器移動到相容機型附近，讓重低音揚聲器上的電源指示燈亮起綠燈。
 - 請按照“如果未自動建立連線”中的步驟操作。
 - 檢查無線連線狀態。詳情請參閱相容機型附帶的使用說明書。
- 如果重低音揚聲器上的電源指示燈閃爍紅燈，請按重低音揚聲器的⏻（電源）以關閉電源，並檢查重低音揚聲器的通風孔是否堵塞。
- 若輸入來源包含的低音聲音成分很少（例如電視廣播），則可能會難以聽見重低音揚聲器的聲音。您可以透過發送測試音來檢查重低音揚聲器音效。
- 將夜間模式設為關閉。詳情請參閱相容機型附帶的使用說明書。
- 如果將[射頻頻道]設定從[關]變更為[開]，則可能需要1分鐘後才會輸出聲音。

跳聲或產生雜音。

- 如果附近有會產生電磁波的裝置，例如無線LAN或正在使用的微波爐，請將重低音揚聲器和相容機型放在遠離該裝置的位置。
- 如果在重低音揚聲器和相容機型間有障礙物，請移動或移除障礙物。
- 重低音揚聲器和相容機型盡可能靠近放置。
- 變更[射頻頻道]設定。
- 將電視機或Blu-ray Disc播放器的網路連線從無線切換成有線。

規格

功率輸出（參考）
200 W（2歐姆，100 Hz）
揚聲器系統
重低音揚聲器系統，低音反射
揚聲器
160 mm圓錐型
電源需求
台灣機型： <ul style="list-style-type: none">120 V AC，50 Hz/60 Hz 其他國家/地區的機型： <ul style="list-style-type: none">220 V - 240 V AC，50 Hz/60 Hz
耗電量
開啟：40 W
待機模式：1 W或以下
關閉：0.5 W或以下
尺寸（約）（寬/高/深）
201 mm × 382.5 mm × 402 mm（不包括突出部分）
質量（約）
9.0 kg


無線傳輸器/接收器部分

通訊系統
無線聲音規格4.0版
頻率波段
5 GHz
調製方式
OFDM
包含物品
<ul style="list-style-type: none">重低音揚聲器（1） 交流電源線（1） 使用說明書（1）

關於軟體的重要資訊

本產品包含的軟體受GNU通用公共授權（“GPL”）或GNU較寬鬆通用公共授權（“LGPL”）的規範。這些規範讓客戶有權利遵循GPL或LGPL取得、修改及重新散佈上述軟體的原始程式碼。

關於重低音揚聲器中所含GPL、LGPL及其他軟體授權的確認方法，請參閱相容機型的使用說明書。

使用相容機型HT-A7000或HT-A9時，請參閱主選單上 [設置] - [進階設定] - [系統設定]下的軟體授權資訊。

您可以在以下網址找到GPLv2（和其他許可）所要求的相關原始碼的拷貝：

https://oss.sony.net/Products/Linux

您可以在我們最後一次發貨後的三年內，透過以下網址中的申請表格，從本公司獲得GPLv2要求的實物媒介中的原始碼：

https://oss.sony.net/Products/Linux

此項內容對收到此資訊的任何人均有效。

請注意，Sony無法回答或回應與此原始程式碼相關的任何詢問。

所有其他商標為各自所有者的商標。

警告

切勿將重低音揚聲器安裝在狹窄的空間內，如書櫃或壁櫥內。

為了降低發生火災的危險，請勿使用報紙、桌布、窗簾等物品蓋住重低音揚聲器的通風孔。

請勿將如點燃的蠟燭等明火源放置於重低音揚聲器上。

為了降低發生火災或觸電的危險，請勿讓重低音揚聲器受到液體潑濺，也不要將如花瓶等裝滿液體的物體放置於重低音揚聲器上。

只要重低音揚聲器的電源線仍連接在電源插座上，即使重低音揚聲器的電源已經關閉，但交流變壓器仍然未與交流電源斷開連接。

由於主插頭用於斷開重低音揚聲器和電源的連接，請將重低音揚聲器連接至易於插拔的交流電源插座。若發現重低音揚聲器異常狀況，請立即將主插頭從交流電源插座斷開連接。

請勿將本產品放在醫療器材的附近。

本產品（含配件）有磁力，可能會干擾心律調節器、用於腦積水治療的可調式引流閥或其他醫療器材。請勿將本產品放在此類醫療器材使用者的附近。如果您使用任何此類醫療器材，請在使用本產品前諮詢您的醫生。

限室內使用。

對於台灣客戶

取得審驗證明之低功率射頻器材，非經核准，公司、商號或使用者均不得擅自變更頻率、加大功率或變更原設計之特性及功能。低功率射頻器材之使用不得影響飛航安全及干擾合法通信；經發現有干擾現象時，應立即停用，並改善至無干擾時方得繼續使用。前述合法通信，指依電信管理法規定作業之無線電通信。低功率射頻器材須忍受合法通信或工業、科學及醫療用電波輻射性電機設備之干擾。

應避免影響附近雷達系統之操作。高增益指向性天線只應用於固定式點對點系統。

委製廠商：SONY CORPORATION
進 口 商：台灣索尼股份有限公司
地 址：台北市中山北路二段42號5樓
洽詢專線：4499111（手機撥號請加02）

設備名稱：重低音揚聲器，						
型號（型式）：SA-SW3						
限用物質及其化學符號						
單元	鉛 (Pb)	汞 (Hg)	鎘 (Cd)	六價鉻 (Cr ⁶⁺)	多溴聯苯 (PBB)	多溴二苯醚 (PBDE)
電路板	-	○	○	○	○	○
外殼	-	○	○	○	○	○
揚聲器	-	○	○	○	○	○
電源線組	-	○	○	○	○	○
備考1.“○”係指該項限用物質之百分比含量未超出百分比含量基準值。						
備考2.“-”係指該項限用物質為排除項目。						

預先注意事項

關於安全

- 如果有任何固體或液體掉入重低音揚聲器，請拔出系統的插頭，並在繼續操作前讓合格的技术人員進行檢查。
- 請勿攀爬重低音揚聲器，否則可能跌落受傷，或是損壞重低音揚聲器。

關於電源

- 操作重低音揚聲器之前，請先確定操作電壓與當地電源應相符。操作電壓如重低音揚聲器背面的標示牌所示。
- 若您將長時間不使用重低音揚聲器，請務必將重低音揚聲器插頭從牆座插座拔出。若要切斷交流電源線，請握住插頭拔出，切勿拉扯電線。
- 為了安全起見，插頭的一個觸片寬過另一個，並只能以一方向向插入牆座插座。如果您不能把插頭完全插入插座，請聯絡您的經銷商。
- 交流電源線必須在合格服務商店更換。

關於變熱

- 本重低音揚聲器會在操作時變熱，這不是故障。如果持續長時間以高音量使用本重低音揚聲器，重低音揚聲器的背部和底部的溫度會變得相當高。為了避免燙傷，請勿觸碰重低音揚聲器。

關於放置

- 請勿將重低音揚聲器擺放於靠近熱源的地方，或者會受到陽光直曬、灰塵過多或機械性撞擊的地方。
- 請勿將電視機以外的金屬物體放在重低音揚聲器附近。無線功能可能不穩定。
- 若本重低音揚聲器與電視機、錄影機或磁帶卡座搭配使用，可能會產生雜訊，影響畫像品質。發生此狀況時，請將重低音揚聲器放置在距離電視機、錄影機或磁帶卡座較遠處。
- 將本重低音揚聲器置於經特別處理（打蠟、塗油、拋光等）的表面上時，請務必小心，否則可能會造成表面著色或變色。
- 本重低音揚聲器的揚聲器並非磁屏蔽型。請勿將磁卡放置在本重低音揚聲器上面或附近。

如果附近的電視機螢幕上出現色彩不均勻
某些類型的電視機可能會出現色彩不均勻的情況。

關於清理

使用柔軟的乾布清潔重低音揚聲器。請勿使用任何類型的砂紙、拋光粉或溶液，如酒精或汽油。

如果您對本系統有任何疑問或問題，請就近與Sony經銷商聯絡。