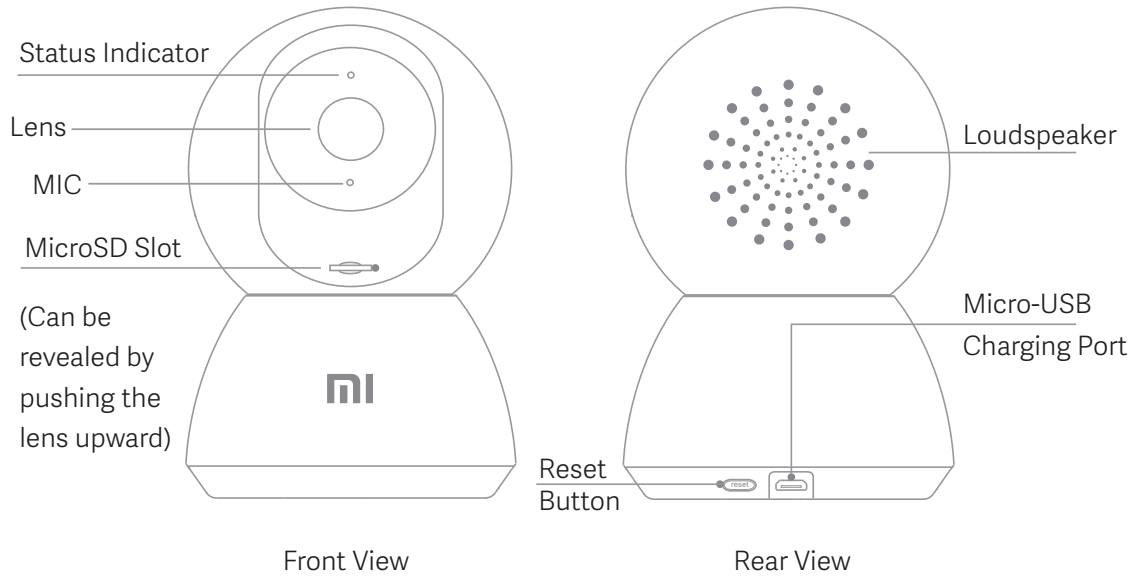




Mi Home Security Camera 360° 1080p User Manual

Read this manual carefully before use, and retain it for future reference

Product Overview



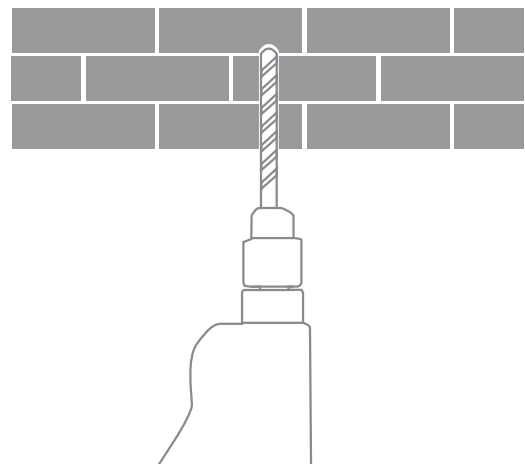
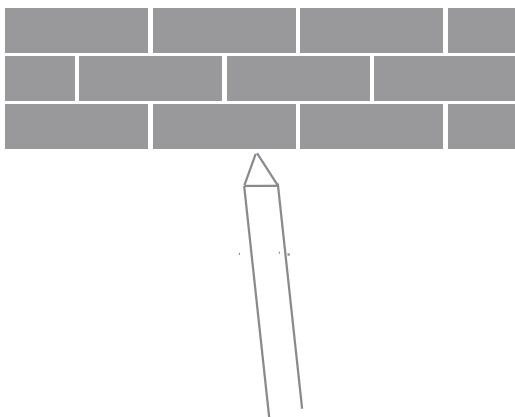
Package Contents: Mi Home Security Camera 360° 1080p, power cable, wall mounting accessories pack, user manual

Installation

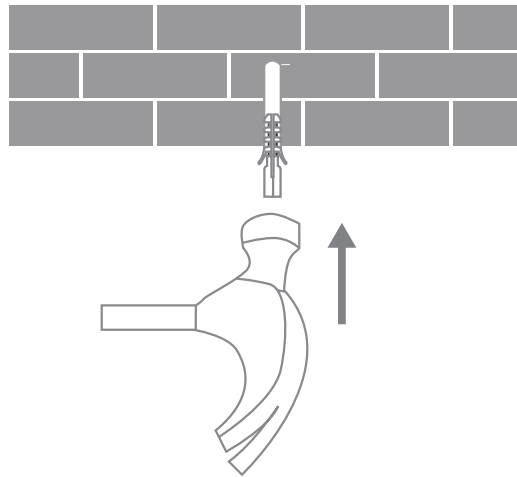
The Mi Home Security Camera 360° 1080p can be placed on a number of horizontal surfaces, such as a writing desk, dining table, and coffee table. It can also be mounted on the wall.

Mounting the Security Camera on a Wall

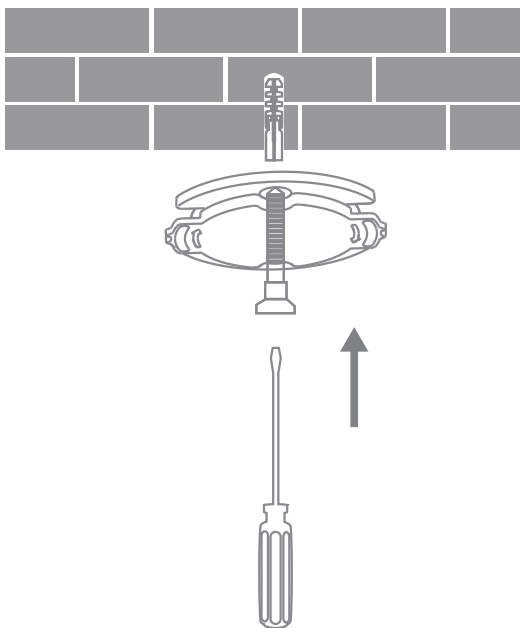
1. Drill two holes on the wall by using the base of the security camera as a template. It is recommended that you mark the locations of the holes with a pencil before drilling. The diameter of each hole is approximately 6 mm and the depth is approximately 30 mm.



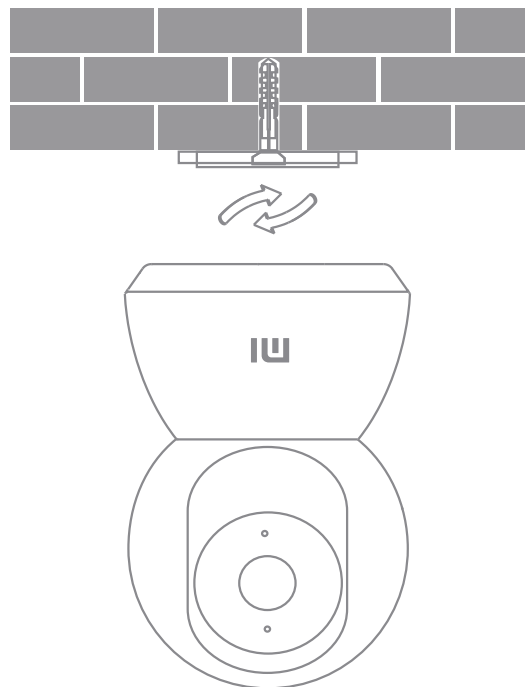
2. Insert the two plastic anchors into the holes on the wall.



3. Place the side of the base with arrows facing forward, and then align the holes. Insert the screws and then tighten them into the wall plugs with a Phillips head screwdriver.



4. Match the grooves on the bottom of the camera unit with the raised area on the base unit. Press down until the two surfaces are flush, then turn the camera unit in either direction to lock it in position.



Warning:

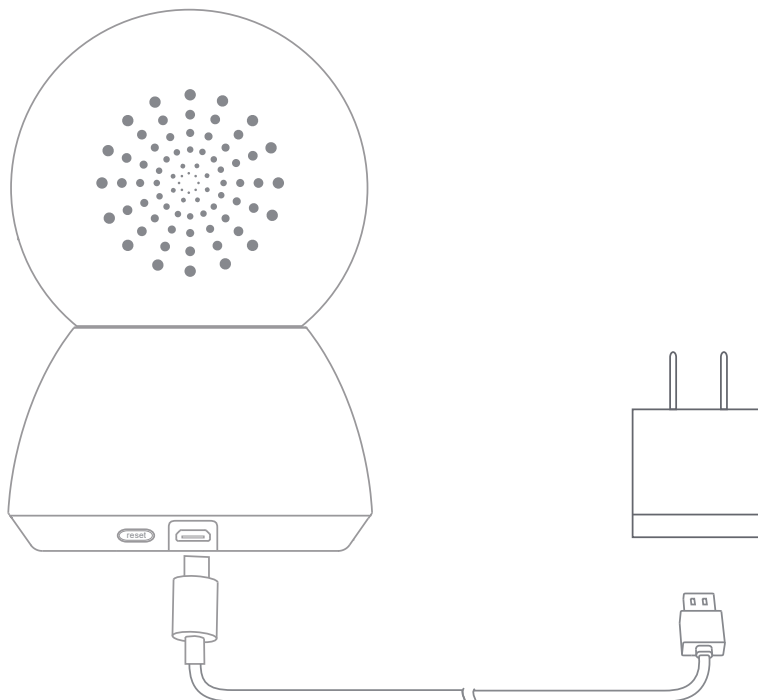
To avoid any damages or injuries, the device must be securely fastened to the floor/wall as specified in the installation instructions.

⚠ When mounting the security camera on a wall: please note that the wall must be able to support at least triple the product's total weight.

Product Instructions

• Turning the Device On

The Mi Home Security Camera will automatically activate once the power cable is inserted into the Micro-USB charging port.



If the indicator light is flashing orange, that means the device is activated successfully. If you do not see a flashing orange light, please press and hold the Reset button to restart the device to enter pairing mode.

Once the Mi Home Security Camera is turned on, please do not attempt to rotate its head by force. If the camera position is incorrect, adjustments can be made through the app.

• Indicator Light

Steady blue on: connected/device status is normal

Flashing blue: network error

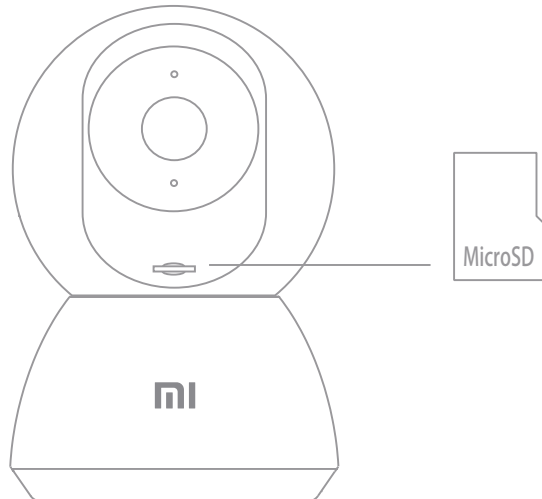
Flashing orange rapidly: waiting for connection

Flashing orange slowly: system upgrade in progress

• Installing a MicroSD Card

Make sure that the power to the security camera is already disconnected. Adjust the camera lens upward until the MicroSD slot is revealed, then insert the MicroSD card into the card slot with its contact points facing downward.

Note: Please unplug the security camera before inserting or removing the MicroSD card. Please use a genuine MicroSD card manufactured by a qualified supplier, with a reading/writing speed of no less than U1/Class 10. (Maximum support capacity is 64 GB)



• Restore Factory Settings

Press and hold the Reset button to restore your device to factory settings. Data stored on the MicroSD card is not deleted.

Connect with Mi Home/Xiaomi Home App

This product works with Mi Home/Xiaomi Home app*. Control your device with Mi Home/Xiaomi Home app.

Scan the QR code to download and install the app. You will be directed to the connection setup page if the app is installed already. Or search

"Mi Home/Xiaomi Home" in the app store to download and install it. Open Mi Home/Xiaomi Home app, tap "+" on the upper right, and then follow prompts to add your device.

* The app is referred to as Xiaomi Home app in Europe (except for Russia). The name of the app displayed on your device should be taken as the default.



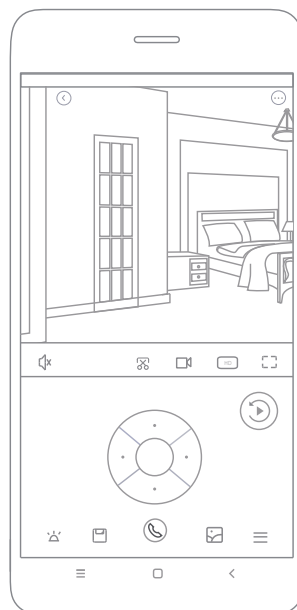
Note: The version of the app might have been updated, please follow the instructions based on the current app version.

Precautions

- The suitable operating temperature range for this product is between -10 °C and 50 °C. Please do not use the product in an environment with temperatures above or below the specified range.
- The security camera is a precision electronic product. In order to ensure its normal operation, please do not install the device in an environment with high humidity levels or allow water to enter the product.
- To improve the product's performance, please do not place the camera lens facing or next to a reflective surface, such as glass windows/doors and white walls, which will cause the image to appear overly bright in areas close to the camera and darker in areas further away, or cause the camera to produce white images.
- Please install the product in areas with Wi-Fi reception, and try to place the device where the Wi-Fi signal is strong. In addition, please keep the security camera away from metal structures, microwave ovens, or other locations where signal strength may be impacted.
- Under normal use of condition, this equipment should be kept a separation distance of at least 20 cm between the antenna and the body of the user.

Real-time Surveillance

Launch the Mi Home app and select a Mi Home Security Camera 360° 1080p that is already connected to monitor the surroundings in real-time. The camera's control interface allows you to adjust the sharpness of the image, as well as to change the device's vertical and horizontal viewing angles. Additional features such as screen capture or record and remote communications can also be performed.



Note: The diagram is for reference only. Actual displays will vary based on different versions of the Mi Home app and your smartphone model.

Supporting Infrared and Image-intensified Night Vision

The camera will automatically switch to night-vision mode based on changing light conditions. The 6 built-in infrared night vision lights increase the night vision distance up to 9 meters, so the camera can clearly capture video in the dark.

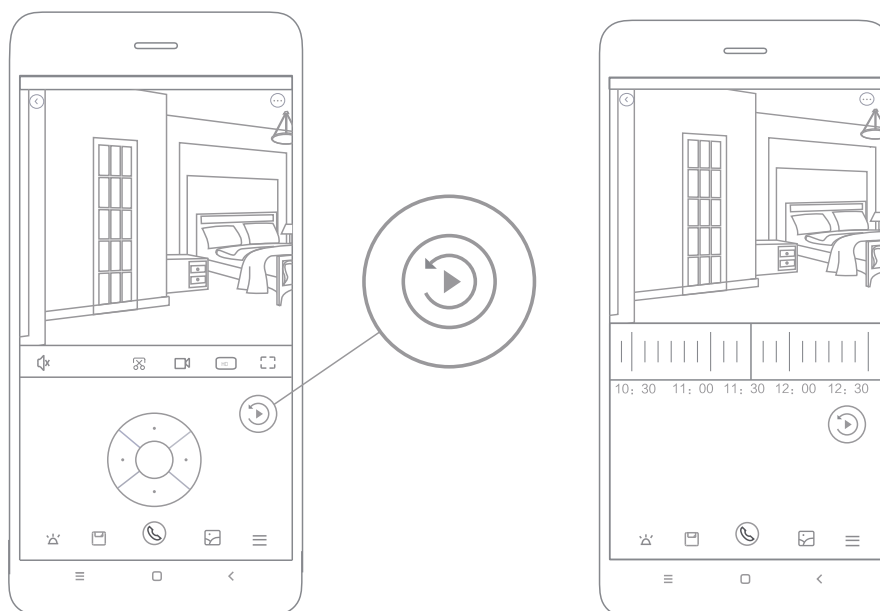


Infrared night vision mode sample

Note: The diagram is for reference only. Actual displays will vary based on different versions of the Mi Home app and your smartphone model.

Playback

Mi Home Security Camera's playback feature is only available after installing a compatible MicroSD card. Once a MicroSD card has been installed and the security camera is turned on, videos will be recorded automatically. After entering the user interface of the Playback feature, simply slide the bar on the timeline to select the time period you wish to view.



Note: The diagram is for reference only. Actual displays will vary based on different versions of the Mi Home app and your smartphone model.

Automatic Surveillance

- Home surveillance can be enabled or disabled in the Mi Home app.
- Available options include 24-hour, daytime, and nighttime monitoring. You can also create your own schedule and set the desired camera angle.
- This product is able to detect movements within its field of view. Once movements are detected, a video is recorded and you will receive a notification.



Shared Remote Viewing

Through the Mi Home Security Camera 360° 1080p control interface in the Mi Home app, you can set your security camera as a shared device under the general settings menu, and invite your friends to view the camera remotely. Your friends will be required to download the Mi Home app and log in with his/her Xiaomi account.



Note: The diagram is for reference only. Actual displays will vary based on different versions of the Mi Home app and your smartphone model.

WEEE Disposal and Recycling Information



Correct Disposal of this product. This marking indicates that product should not be disposal with other household wastes throughout the EU. To prevent possible harm to the environment or human health from uncontrolled waste disposal, recycle it responsibly to promote the sustainable reuse of material resources. To return your used device, please use the return and collection systems or contact the retailer where the product was purchased. They can take this product for environment safe recycling.

Hereby, Shanghai Imilab Technology Co., Ltd. declares that the radio equipment type Mi Home Security Camera 360° 1080p is in compliance with Directive 2014/53/EU. The full text of the EU declaration of conformity is available at the following internet address:

<https://www.mi.com/en/service/support/declaration.html>



Specifications

Name: Mi Home Security Camera 360° 1080p

Model: MJSXJ05CM

Aperture: F2.1

Net Weight: 310 g

Expandable Memory: MicroSD card (up to 64 GB)

Video Encoding: H.265

Item Dimensions: 118 x 78 x 78 mm

Operating Temperature: -10 °C to 50 °C

Compatible With: Android 4.4 & iOS 9.0 or above

Wireless Connectivity: Wi-Fi IEEE 802.11 b/g/n 2.4 GHz

Frequency: 2412–2472 MHz

Max. Output: 16 dBm

Lens Angle: 110°

Resolution: 1080p

Input: 5 V \equiv 2 A

Manufactured for: Xiaomi Communications Co., Ltd.

Manufactured by: Shanghai Imilab Technology Co., Ltd.

(a Mi Ecosystem company)

Address: Room 001A, Floor 11, Block 1, No. 588 Zixing Road, Minhang District, Shanghai, China

For further information, please go to www.mi.com