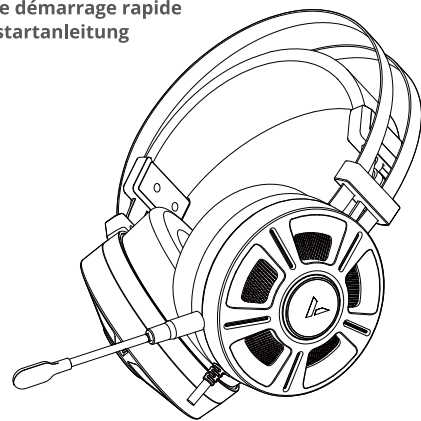


rapoo

Quick start guide
Guide de démarrage rapide
Schnellstartanleitung

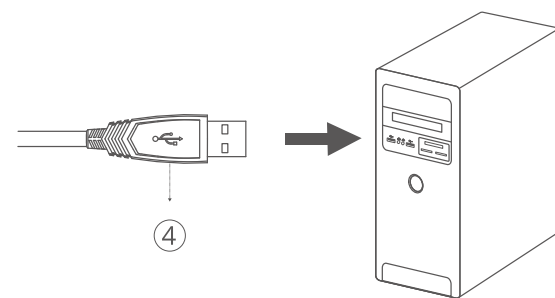
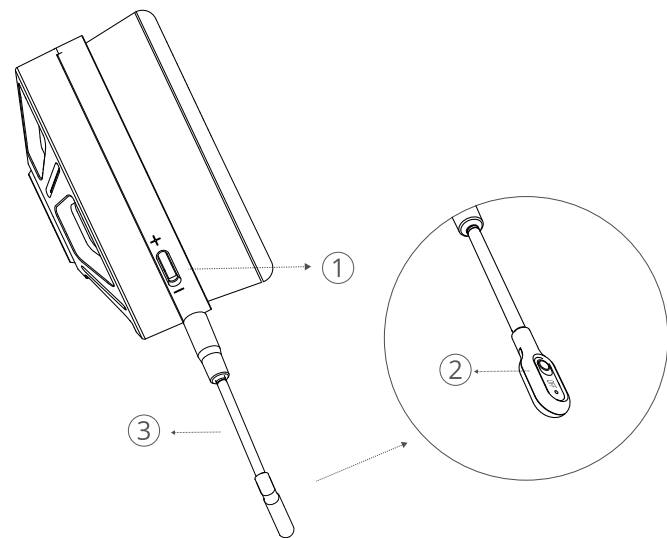


VH510

Virtual 7.1 Channels Gaming Headset
Casque Gaming 7.1 canaux virtuels
Gaming-Headset mit virtueller 7.1-Kanal-Audioausgabe



www.rapoo.com



en Package contents

Gaming-Headset
Quick start guide

fr Contenu de l'emballage

Écouteurs de jeu
Guide de démarrage rapide

de Packungsinhalt

Gaming-Headset
Schnellstartanleitung



Button and port overview/Vue d'ensemble des boutons et des ports/Übersicht über Tasten und Anschlüsse/Descrizione di pulsante e porta/Información general de los botones y los puertos/Knoppen- en poortoverzicht/Visão geral do botão e porta/Обзор кнопок и портов/Загальний огляд до кнопок і портів

- en 1. Volume up/down
- 2. Microphone mute switch
- 3. Long rod microphone
- 4. USB port

- fr 1. Volume su/giù
- 2. Interrupteur désactivation audio microphone
- 3. Microfono ad asta lunga
- 4. Porta USB

- de 1. Aumentar/diminuir o volume
- 2. Botão de interrupção de som do microfone
- 3. Microfone de haste longa
- 4. Porta USB

- fr 1. Volume plus / moins
- 2. Commutateur de coupure du microphone
- 3. Micro à longue tige
- 4. Port USB

- es 1. Subir/bajar volumen
- 2. Interruptor de silencio del micrófono
- 3. Micrófono de varilla larga
- 4. Puerto USB

- ru 1. Увеличение/уменьшение громкости
- 2. Переключатель для отключения микрофона
- 3. Микрофон с длинным держателем
- 4. Порт USB

- de 1. Lautstärke erhöhen/verringern
- 2. Mikrophon-stumm-Schalter
- 3. Langes Stabmikrofon
- 4. USB-Anschluss

- nl 1. Volume hoger/lager
- 2. Schakelaar voor dempen microfoon
- 3. Lange staafmicrofoon
- 4. USB-poort

- ua 1. Збільшити/зменшити гучність
- 2. Вимикач мікрофону
- 3. Довгострижневий мікрофон
- 4. Порт USB

Functional operation/Utilisation fonctionnelle/Funktionen verwenden/Funzionamento/Manejo funcional/Functioneel gebruik/Utilização/Функциональное описание/Робота функцій

- en Rotate volume knob to realize volume up and down

- it Ruotare la manopola del volume per aumentare e abbassare il volume

- br Gire o botão de volume para aumentar ou diminuir o volume

Toggle the microphone mute switch to turn on or off the microphone

Accendere/spengere l'interruttore di disattivazione audio del microfono per accendere o spegnere il microfono

Alterne a chave de mudo do microfone para ligar ou desligar o microfone

- fr Tournez le bouton de volume pour augmenter ou diminuer le volume

- es Gire el mando de volumen para subir y bajar el volumen

- ru Поверните регулятор громкости, чтобы увеличить или уменьшить громкость

Basculez l'interrupteur de coupure du micro pour activer ou désactiver le micro

Alterne el conmutador de silencio del micrófono para encender o apagar el micrófono

Поменяйте положение переключателя микрофона, чтобы включить или выключить микрофон

- de Lautstärkeregler zum Erhöhen und Verringern der Lautstärke drehen

- nl Volumeknop draaien om het volume te vermeerderen en te verminderen

- ua Обертайте ручку гучності, щоб збільшувати або зменшувати гучність

Mikrofon-stumm-Schalter zum Ein- oder Ausschalten des Mikrofons betätigen

De schakelaar voor het dempen van de microfoon gebruiken om de microfoon in of uit te schakelen

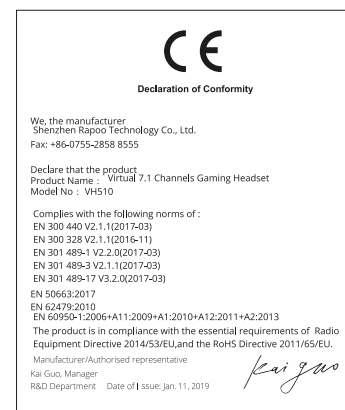
Вимикайте і вмикайте мікрофон перемикачем «без звуку»

Warranty / Garantie / Garantie / Garanzia / Garantía / Garantie / Garantia / Гарантія / Гарантія

- en The device is provided with two-year limited hardware warranty from the purchase day. Please see www.rapoo.com for more information.
- fr L'appareil est fourni avec deux ans de garantie matérielle limitée à compter du jour d'achat. Merci de consulter www.rapoo.com pour plus d'informations.
- de Wir gewähren eine zweijährige, eingeschränkte Hardware-Garantie ab Kaufdatum. Weitere Informationen finden Sie hier: www.rapoo.com.
- es Il dispositivo viene fornito con due anni di garanzia hardware limitata a partire dalla data di acquisto. Per ulteriori informazioni consultare www.rapoo.com.
- br El dispositivo se proporciona con una garantía de hardware limitada de dos años a partir de la fecha de compra. Consulte la dirección www.rapoo.com para obtener más información.
- nl Het toestel wordt met een tweejarige beperkte hardware-garantie vanaf de aankoopdatum geleverd. Raadpleeg www.rapoo.com voor meer informatie.
- pt O dispositivo é fornecido com garantia de hardware limitada de dois anos a partir do dia da compra. Por favor consulte www.rapoo.com para obter mais informações.
- ru Данное устройство предоставляется с ограниченной гарантией на аппаратное обеспечение сроком два года со дня покупки. Более подробную информацию можно найти по адресу www.rapoo.com.
- ua Строк дії обмеженої гарантії для апаратного забезпечення - два роки з дати придбання. Більше інформації ви знайдете на www.rapoo.com.



www.rapoo.com



FCC Statement

This equipment has been tested and found to comply with the limits for a Class B digital device, pursuant to part 15 of the FCC rules. These limits are designed to provide reasonable protection against harmful interference in a residential installation. This equipment generates, uses and can radiate radio frequency energy and, if not installed and used in accordance with the instructions, may cause harmful interference to radio communications. However, there is no guarantee that interference will not occur in a particular installation. If this equipment does cause harmful interference to radio or television reception, which can be determined by turning the equipment off and on, the user is encouraged to try to correct the interference by one or more of the following measures:

- Reorient or relocate the receiving antenna.
- Increase the separation between the equipment and receiver.
- Connect the equipment into an outlet on a circuit different from that to which the receiver is connected.
- Consult the dealer or an experienced radio/TV technician for help.

To assure continued compliance, any changes or modifications not expressly approved by the party responsible for compliance could void the user's authority to operate this equipment. (Example- use only shielded interface cables when connecting to computer or peripheral devices.)

FCC Radiation Exposure Statement

This equipment complies with FCC RF radiation exposure limits set forth for an uncontrolled environment. This transmitter must not be co-located or operating in conjunction with any other antenna or transmitter. This equipment complies with Part 15 of the FCC Rules. Operation is subject to the following two conditions:

- (1) This device may not cause harmful interference, and
- (2) This device must accept any interference received, including interference that may cause undesired operation.

Caution!
The manufacturer is not responsible for any radio or TV interference caused by unauthorized modifications to this equipment. Such modifications could void the user authority to operate the equipment.

ISED RSS warning

This device complies with Industry Canada licence-exempt RSS standard (s). Operation is subject to the following two conditions:

- (1) this device may not cause interference, and
- (2) this device must accept any interference, including interference that may cause undesired operation of the device.

Le présent appareil est conforme aux CNR d'Industrie Canada applicables aux appareils radio exempts de licence. L'exploitation est autorisée aux deux conditions suivantes:

- (1) l'appareil ne doit pas produire de brouillage, et
- (2) l'utilisateur de l'appareil doit accepter tout brouillage radioélectrique subi, même si le brouillage est susceptible d'en compromettre le fonctionnement.

ISED Radiation Exposure Statement:

This equipment complies with ISED RF radiation exposure limits set forth for an uncontrolled environment. This transmitter must not be co-located or operating in conjunction with any other antenna or transmitter. Cet appareil est conforme aux limites d'exposition de rayonnement RF ISED établies pour un environnement non contrôlé. Cet émetteur ne doit pas être co-implanté ou fonctionner en conjonction avec toute autre antenne ou transmetteur. Any changes or modifications not expressly approved by the party responsible for compliance could void the user's authority to operate the equipment. It is forbidden to reproduce any part of this quick start guide without the permission of Shenzhen Rapoo Technology Co., Ltd.

Made in China

