

Canon

Laser Beam Printer

LASER SHOT LBP2900

Getting Started Guide



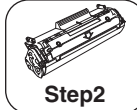
Read This Manual First.

Thank you for purchasing the Canon LASER SHOT LBP2900.
Please read this manual thoroughly before operating the printer.
After reading this manual, keep it in a safe place for future reference.



Taking the Printer out of the Package and Installing the Printer

p. 6



Installing the Toner Cartridge

p. 10



Connecting the Power Cord

p. 14



Loading Paper

p. 15




Connecting the Printer to a Computer and Installing the Software



p. 22

Introduction

Manuals

The electronic version (PDF) of the manuals is included on the CD-ROM that comes with this printer.

: Guides with this symbol are PDF manuals included on the accompanying CD-ROM.

Instruction Manual Name	Contents	Format	File Name of the PDF Manual
Getting Started Guide (this manual)	Describes the procedure for installing this printer and the preparations needed before you can print with this printer.		Manual_1.pdf*
User's Guide	Describes the printing procedures, routine maintenance, and troubleshooting.		Manual_2.pdf*

* The PDF manuals are available from "CD-ROM Setup". (See "About the CD-ROM," on p. 32)

IMPORTANT

Adobe Reader/Adobe Acrobat Reader is required to view the manuals in PDF format. If Adobe Reader/Adobe Acrobat Reader is not installed on your system, please download it from the Adobe Systems Incorporated website.

Conventions

The following symbols are used in this manual to explain procedures, restrictions, handling precautions, and instructions that should be observed for safety.

WARNING

Indicates warnings that, if followed incorrectly, may lead to death or serious personal injury. To use the product safely, be sure to adhere to these warnings.

CAUTION

Indicates cautions that, if followed incorrectly, may lead to personal injuries or damage to property. To use the product safely, be sure to adhere to these cautions.

IMPORTANT

Indicates important points and limitations that need to be observed. Be sure to read these carefully to avoid running into problems operating the printer.

NOTE

Indicates additional information related to the operation of the printer. It is recommended that you read these points.

Copyright CANON INC. 2016

No part of this publication may be reproduced or transmitted in any form or by any means, electronic or mechanical, including photocopying and recording, or by any information storage or retrieval system without the prior written permission of Canon Inc.

Notice

Canon makes no guarantees of any kind with regard to this manual. Canon shall not be held liable for errors contained herein or for consequential or incidental damages incurred as a result of acting on information contained in the manual.

Abbreviations Used in this Manual

In this manual, product names and model names are abbreviated as follows:

Microsoft Windows 2000 operating system:	Windows 2000
Microsoft Windows XP operating system:	Windows XP
Microsoft Windows Server 2003 operating system:	Windows Server 2003
Microsoft Windows Vista operating system:	Windows Vista
Microsoft Windows Server 2008 operating system:	Windows Server 2008
Microsoft Windows 7 operating system:	Windows 7
Microsoft Windows operating system:	Windows
LASER SHOT LBP2900:	LBP2900

Trademarks

Canon, the Canon logo, LASER SHOT, and LBP are trademarks of Canon Inc.

Adobe, Adobe Acrobat, and Adobe Reader are trademarks of Adobe Systems Incorporated.

IBM and PowerPC are trademarks of International Business Machines Corporation in the United States.

Microsoft and Windows are registered trademarks of Microsoft Corporation in the United States and/or other countries.

Windows Server and Windows Vista are trademarks of Microsoft Corporation.

Other product and company names herein may be the trademarks of their respective owners.


Installation Site

Installation Environment

To use this printer safely and comfortably, install the printer in a location that meets the following requirements.



IMPORTANT

Before installing the printer, be sure to read "Important Safety Instructions" in the  *User's Guide*.

- Use power supplies rated for voltages in the following ranges.
220 to 240 V ($\pm 10\%$) 50/60 Hz (± 2 Hz)
- The maximum power consumption for the printer is 726W or below. Electrical noise or a dramatic drop in power voltage may result in a faulty operation or loss of data in the printer and computer.
- Use the printer where the temperature and humidity are in the following ranges.
Ambient temperature: 10 to 32.5°C (50 to 90.5°F)
Humidity: 20 to 80% RH (no condensation)



IMPORTANT

Water droplets (condensation) may form inside the printer in the following situations: To allow the printer to adjust to the surrounding temperature and humidity, leave the printer in the installation area for at least one hour before use. If water droplets form inside the printer, problems may arise in the paper transport path, resulting in paper jams, printer malfunctions, and other operating problems.

- When the room where the printer is installed is heated suddenly
- When the printer is moved from a cool and dry area to a hot and humid area



NOTE

To customers using an ultrasonic humidifier
If you use tap water or well water when you are using an ultrasonic humidifier, impurities in the water may be dispersed through the air and become trapped inside the printer, causing poor image quality. When you are using these humidifiers, it is therefore recommended that you use purified water or other water that is free of impurities.

- Install the printer in the following environment
 - A place where sufficient space can be secured
 - A well-ventilated room
 - A flat surface
 - A sturdy platform that can easily tolerate the weight of the printer and optional equipment



WARNING

Do not install the printer in a location near alcohol, thinners, or other flammable substances. If an inflammable substance comes into contact with the electrical unit inside the printer it may ignite or cause an electrical shock.



CAUTION

- Do not install the printer in any of the following locations. Doing so may cause fire or electrical shock.
 - A damp or dusty location
 - A location exposed to smoke and steam, such as next to a stove or humidifier.
 - A location exposed to rain or snow
 - A location near water faucets or water
 - A location exposed to direct sunlight
 - A location subject to high temperatures
 - A location near open flames
- Do not install the printer on an unsteady platform, an uneven surface, or any other unstable location, or any location subject to vibrations. If the printer falls down or the platform tips over, someone may be injured.



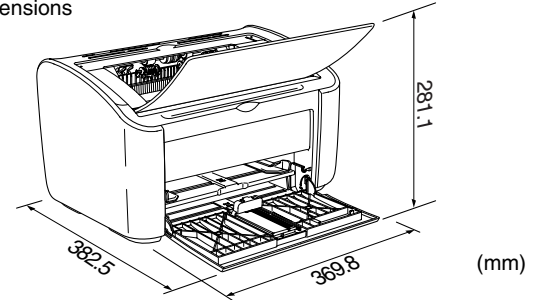
IMPORTANT

- Do not install the printer in any of the following locations. Doing so may damage the printer.
- An environment where the temperature and/or humidity changes rapidly, or where condensation occurs
 - A poorly ventilated room
 - Near devices that generate magnetic or electromagnetic waves
 - In rooms such as laboratories where chemical reactions occur
 - In a room where corrosive or poisonous chemicals such as salt or ammonia are present in the air
 - A platform that may warp from the weight of the printer and optional equipment, or where the printer is liable to sink (such as on a carpet or mat)

Installation Space

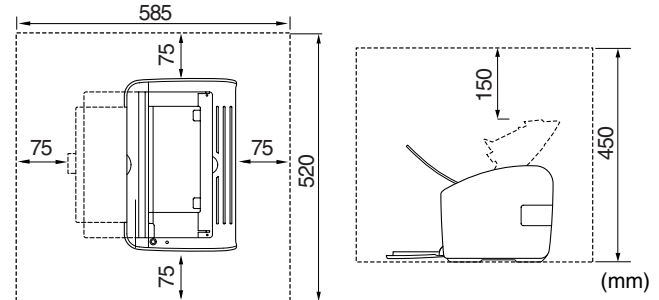
Choose an installation location where you can secure the following amount of free space around the printer, and on a surface that can support the weight of the printer. The dimensions of each of the printer components, the dimensions of the space needed around the components, and the positions of the feet are as follows.

•Printer Dimensions



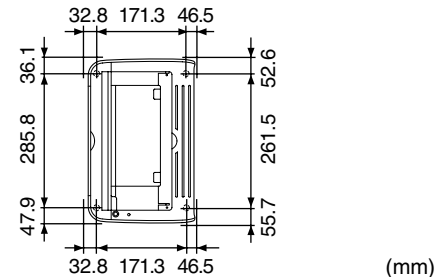
•Peripheral Space

Front View →



•Feet Positions

Front View →



System Requirements

Operating System

- Windows 2000 Server or Professional
- Windows XP Professional or Home Edition
- Windows XP Professional x64 Edition
- Windows Server 2003
- Windows Server 2003 x64 Editions
- Windows Vista (32-bit or 64-bit version)
- Windows Server 2008 (32-bit or 64-bit version)
- Windows 7 (32-bit or 64-bit version)

* For details on the procedures, instructions, and so on for Windows 7 and Server 2008, refer to those for Windows Vista.

* For details on the latest status of the supported operating systems and Service Pack, see the Canon website (<http://www.canon.com/>).

- System Requirements (minimum required)

	Windows 2000/XP/Server 2003	Windows Vista
CPU	Pentium II 300 MHz or more	Conforms to the minimum system requirements for Windows Vista
Memory (RAM)*¹	128 MB or more	
Hard Disk*²	120 MB or more	120 MB or more

(PC/AT compatibles)

*¹ As the amount of available memory varies depending on the system configuration of the computer or application you are using, the above environment does not guarantee printing in all cases.

*² This indicates free hard disk space required for installing the printer driver and manuals using Easy Installation. Required free hard disk space varies depending on the system environment or installation method.

- System Requirements (recommended)

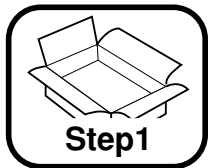
	Windows 2000/XP/Server 2003	Windows Vista
CPU	Pentium III 600 MHz or more	Conforms to the recommended system requirements for Windows Vista
Memory (RAM)	256 MB or more	

Interface

USB 2.0 Hi-Speed/USB Full-Speed (USB1.1 equivalent)

NOTE

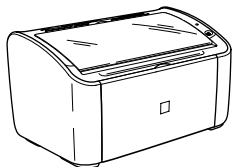
- If you want to use the sounds from the printer driver, a PC synthesizer (and the PCM synthesizer driver) needs to be installed in your computer. Do not use the PC speaker driver (speaker.drv).
- This printer uses bidirectional communication. Operation of the printer when connected via unidirectional communication equipment has not been tested. As a result, Canon cannot guarantee printer operation when the printer is connected using unidirectional print servers, USB hubs and switching devices.



Taking the Printer out of the Package and Installing the Printer

Confirming the Package Contents

Before installing the printer, check that all of the following components are included in the package. In the rare event that any components are missing or damaged, contact the store where you purchased the printer.



□ Printer



- CD-ROM
[LBP2900 User Software]
- CAPT (Canon Advanced Printing Technology) software
 - Getting Started Guide (This Manual)
 - User's Guide
 - CAPT Windows Firewall Utility



□ Power Cord




□ USB cable
(Only countries and regions of Asia)



□ Toner Cartridge

NOTE

- Illustrations of the power cord used in this manual may not represent exact appearance and configuration of the actual power cord.
- The toner cartridge supplied with the printer is different from the replacement toner cartridge. Refer to Chapter 5 "Routine Maintenance" in the  *User's Guide* when you purchase a replacement toner cartridge.
- A USB cable is supplied with this printer only within countries and regions of Asia. In other countries and regions, prepare according to the specifications of your computer.

Carrying the Printer to the Installation Site

Once you have chosen an installation site, take the printer out of the package and carry it to the chosen location.

IMPORTANT

- Install the printer on a platform such as a desk that can tolerate the weight of the printer sufficiently.
- Do not install the printer on a platform that could warp under the weight of the printer and optional equipment, or where the printer is liable to sink (such as on a carpet or mat)

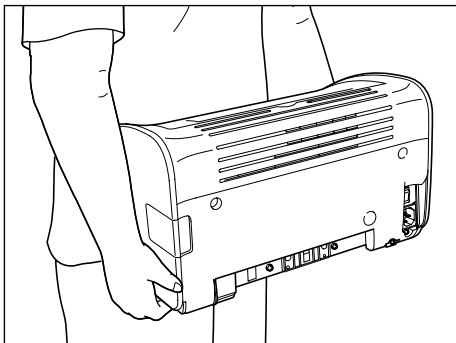
1 Take the printer out of the package.

IMPORTANT

Use a large area with plenty of space for taking the printer out of the package.

2 Carry the printer to the installation site.

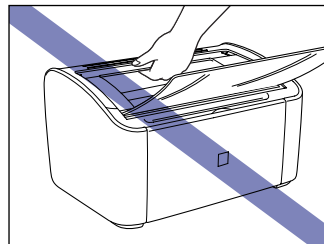
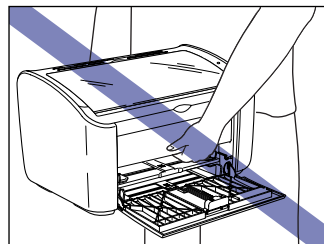
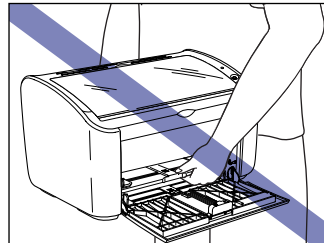
Hold both sides of the printer in your hands as shown in the diagram, making sure that you hold the printer firmly with both hands.



CAUTION

- The printer weighs approximately 5.6 kg when the toner cartridge is not installed. Take care to carry the printer without hurting your back.

- Do not lift the printer by the multi-purpose tray, manual feed tray, paper output tray or any other part of the printer except as directed. Doing so may cause the printer to fall, resulting in personal injury.



3 Put the printer down carefully at the installation site.

CAUTION

Put the printer down slowly and carefully. You may be injured if your hands, etc. are pinched by the printer.

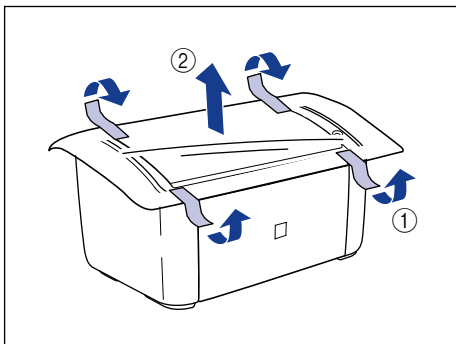
IMPORTANT

Make sure there is enough space set aside at the installation site for attaching cables, etc.

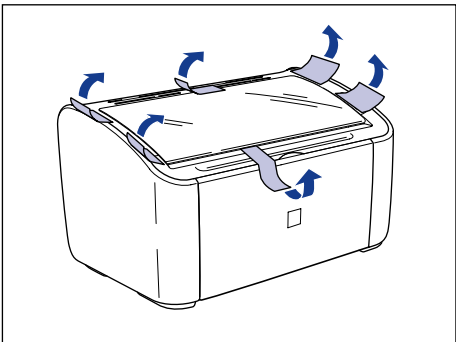
Removing the Packing Materials

Cellophane tape and packing materials are attached to the printer to protect it from vibrations and shocks during transport. Remove these pieces of tape and packing material after you carry the printer to the installation site.

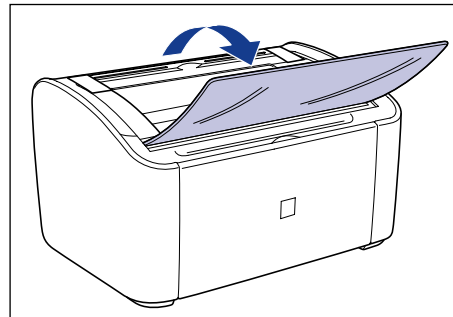
- 1** Remove the tape that is attached to the printer at four locations at the front and back of the printer ①, then remove the protective sheet ②.



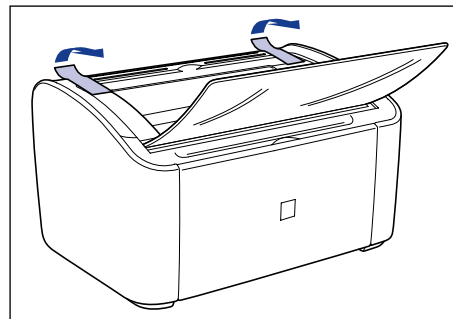
- 2** Remove the following pieces of tape that are attached to the printer (6 locations).



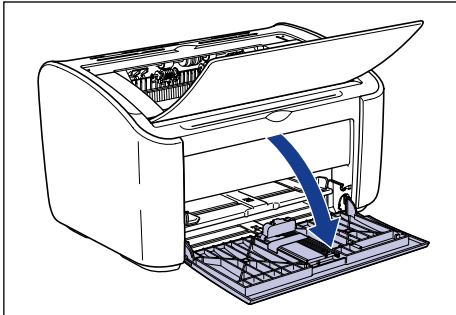
- 3** Open the output tray.



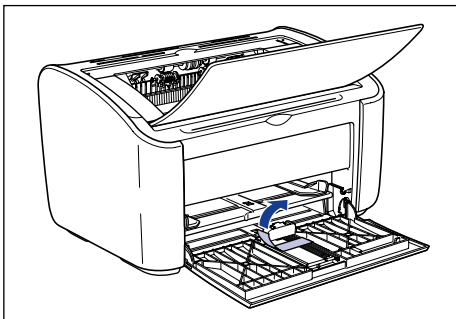
- 4** Remove the following pieces of tape that are attached to the printer (2 locations).



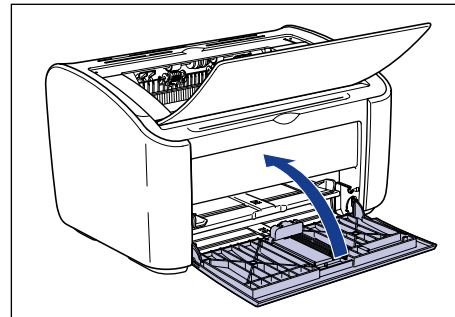
- 5** Open the multi-purpose tray. Grasp the groove in the center of the printer to open the multi-purpose tray.

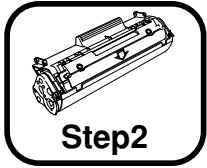


- 6** Remove the tape that is securing the rear paper guide.




- 7** Close the multi-purpose tray.





Installing the Toner Cartridge

For details on handling the toner cartridges, refer to Chapter 5 "Routine Maintenance" in the  *User's Guide*.

WARNING

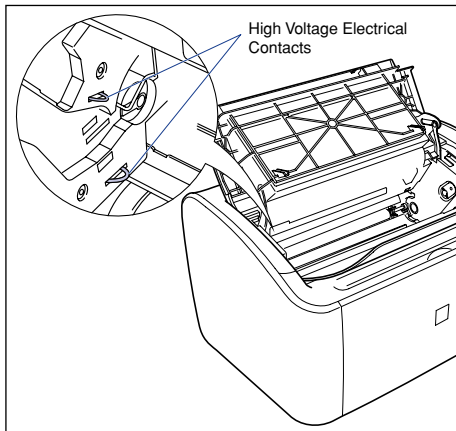
The toner cartridge produces a weak magnetic field. If someone who is using a pacemaker feels any unusual sensations, they should stay clear of the toner cartridge and seek medical attention immediately.

CAUTION

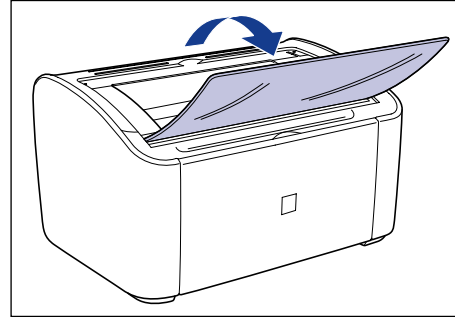
Be careful to avoid staining your clothes or hands with toner. If you do get any toner on your clothes or hands, wash it off immediately with cold water. If you rinse using hot water the toner may become fixed, creating a stain that cannot be removed.

IMPORTANT

Never touch any of the high voltage parts inside the top cover. Doing so may damage the printer.

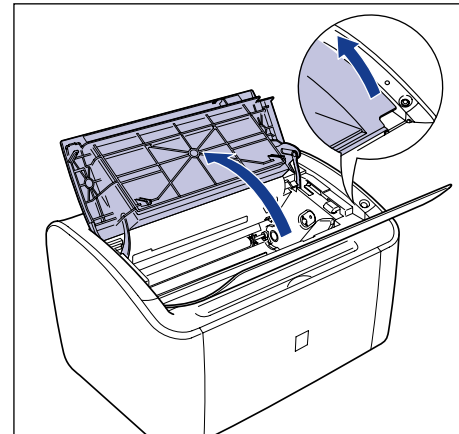


1 Open the output tray.



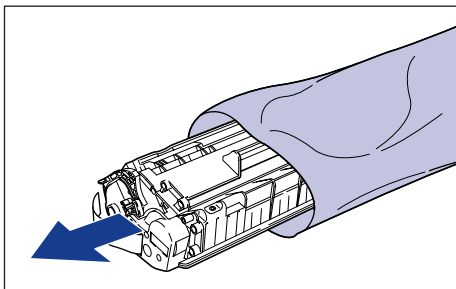
2 Open the top cover.

Grasp the groove on the right side of the top cover and open the cover until it stops.



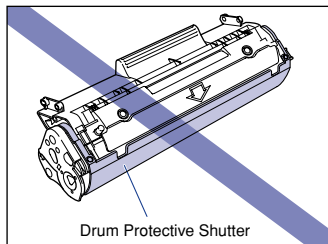
3 Take the toner cartridge out of the protective bag.

Use scissors to open the protective bag so as not to damage the toner cartridge.

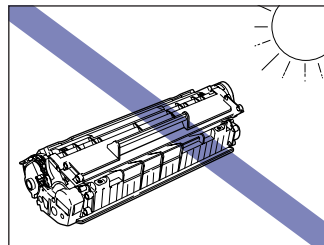


IMPORTANT

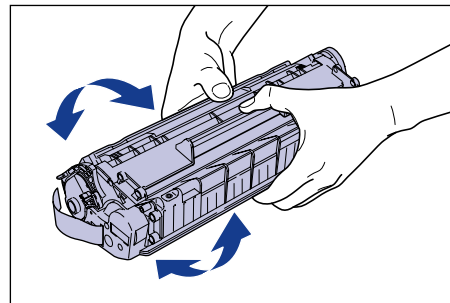
- Do not throw away the toner cartridge protective bag. You will need this cover when you remove the toner cartridge for printer maintenance, etc.
- If you touch the inner drum with your hand or scratch it, the printing quality will be degraded. Do not touch or open the drum protective shutter under any circumstances. Be careful not to hold or touch any parts other than as directed. Doing so may damage the toner cartridge.



- Do not expose the toner cartridge to direct sunlight or strong light.



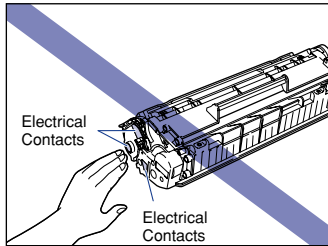
4 Hold the toner cartridge as shown in the figure, and roll it gently from side to side 5 or 6 times to evenly distribute the toner inside.



IMPORTANT

- If the toner is not distributed evenly, you may get poor printing quality. Make sure you perform this step.
- Rotate the toner cartridge gently. If you do not rotate the cartridge gently, toner may spill out.

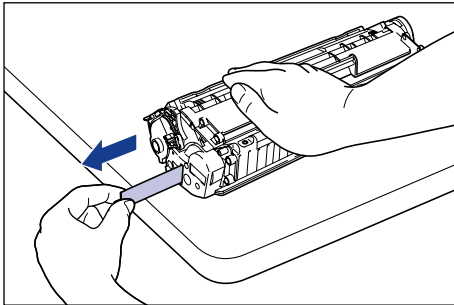
- Be careful not to hold or touch sensitive areas such as the sensor or electrical contacts. Doing so may damage the toner cartridge.



Step
2

5 Place the toner cartridge on a flat surface, then slowly pull out the sealing tape (approx. 50 cm in length) while supporting the toner cartridge.

Pull the sealing tape out directly in the direction of the arrow.



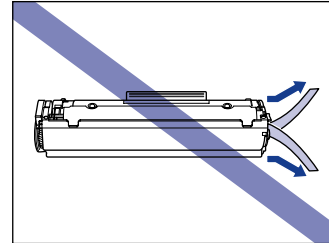
CAUTION

If you pull on the sealing tape with excessive force or stop pulling midway, toner may spray from the tape. If toner gets into your eyes or mouth, wash it out immediately with cold water and consult a doctor.

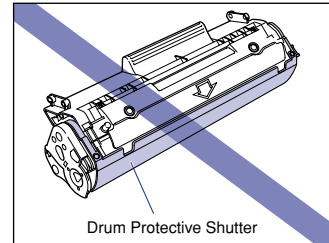


IMPORTANT

- Do not bend the tape or pull it up or down. If you do, the sealing tape may break in the middle, and you won't be able to fully remove it.

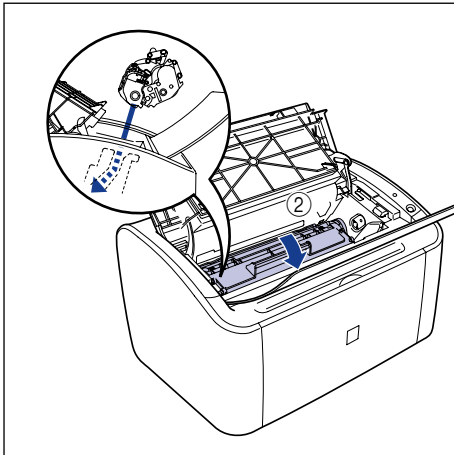
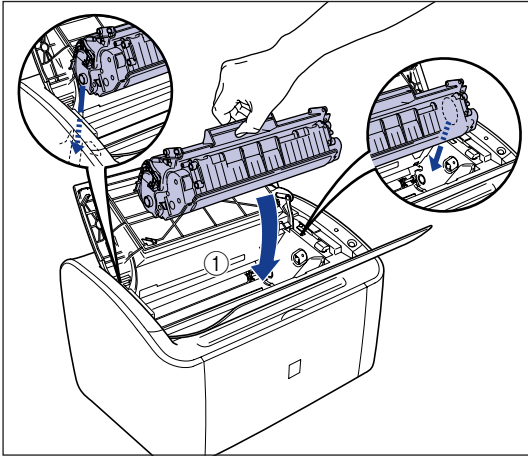


- Keep pulling on the tape until it is fully removed from the cartridge. If any sealing tape is left inside the toner cartridge, you may experience printing problems.
- When pulling out the sealing tape, be careful not to hold the drum protective shutter with your hands.

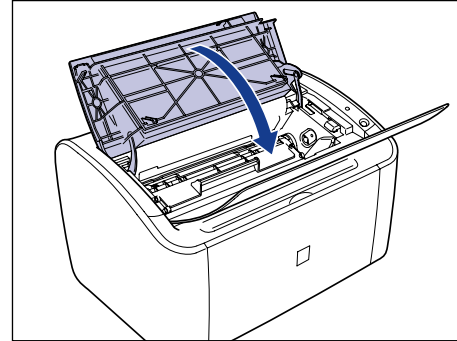


- After removing the packing materials, install the toner cartridge in the printer as soon as possible.
- Dispose of the sealing tape according to local regulations.

- 6** Align the protrusions on the left and right ends of the toner cartridge with the toner cartridge guides in the main printer, and push the cartridge all the way to the back ①, then pull it down towards you ②.

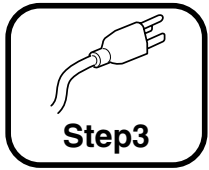


- 7** Close the top cover.



IMPORTANT

- If you cannot close the top cover, check that the toner cartridge is installed properly in the printer. If you close the top cover forcefully, the printer may be damaged.
- Do not leave the top cover open for a long time after installing the toner cartridge.



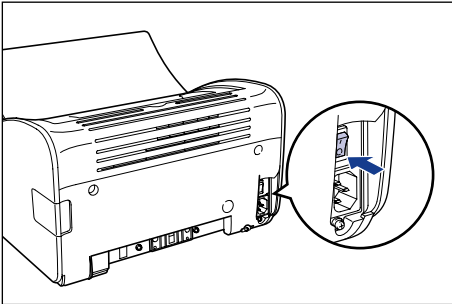
Connecting the Power Cord

IMPORTANT

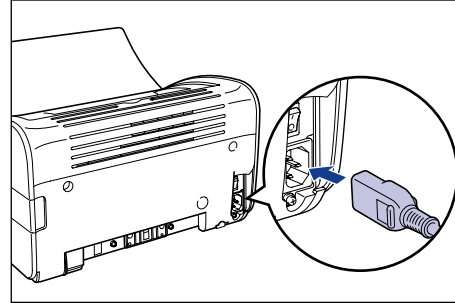
- One AC power outlet should be used exclusively for the printer.
- Do not plug the power cord into the auxiliary outlet on a computer.
- Do not connect this printer to an uninterruptible power supply. The printer may malfunction when a power outage occurs, and there is a risk of damaging the printer.

1 Make sure that the power switch of the printer is turned OFF.

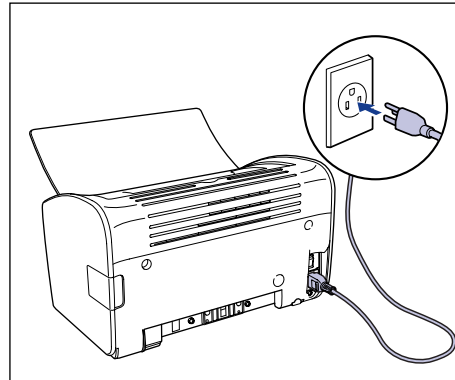
The printer is off when the "O" side of the power switch is pressed in.



2 Plug the supplied power cord firmly into the power socket.




3 Plug the power plug into the AC power outlet.

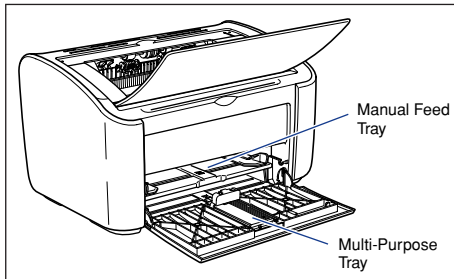





Loading Paper

Step 4

This printer can feed paper from the multi-purpose tray and the manual feed tray. This manual only describes the method for loading standard size plain paper. Refer to Chapter 2 "Loading and Delivering Paper" in the  *User's Guide* for information on loading heavy paper, transparencies, label paper, envelopes, Index Card, or custom paper sizes.



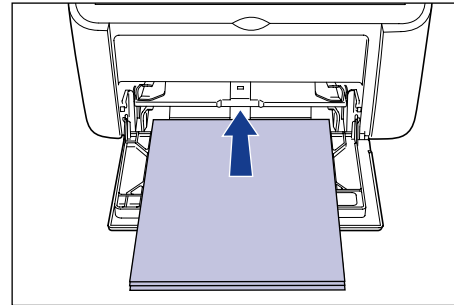
IMPORTANT

- When you are printing from the multi-purpose tray, make sure that there is no paper in the manual feed tray. If there is any paper in the manual feed tray, paper will feed from the manual feed tray because manual feed tray has priority over the multi-purpose tray.
- Do not load paper into the manual feed tray while the printer is printing from the multi-purpose tray. The paper loaded in the manual feed tray will feed into the printer, causing overlapping paper feeds and paper jams.
- Do not load paper that has jagged edges, wrinkles, or that is extremely curly. Doing so can cause paper jams and printer faults.
- For more details on printable paper, refer to Chapter 2 "Loading and Delivering Paper" in the  *User's Guide*.

Loading Paper into the Multi-Purpose Tray

The multi-purpose tray can hold up to approximately 150 sheets of A4, B5, A5, Legal, Letter, or Executive plain paper (64 g/m²). You can also load heavy paper, transparencies, label paper, envelopes (Envelope C5, Envelope COM10, Envelope DL, Envelope Monarch) or custom paper of width 76.2 to 215.9 mm and length 127.0 to 355.6 mm.

Always load paper lengthways into the multi-purpose tray.

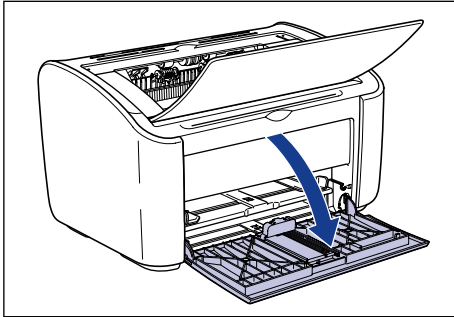


IMPORTANT

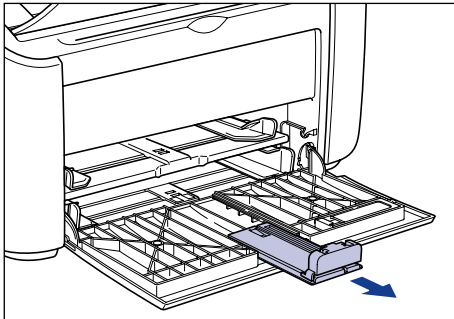
- If you are refilling the multi-purpose tray when there is still paper in the tray, take out the remaining paper and align it properly with the new paper before loading it into the tray.
- Use the paper capacity for each type of paper as a guide to the number of sheets of paper that can be printed continuously.

1 Open the multi-purpose tray.

Grasp the groove in the center of the printer to open the multi-purpose tray.

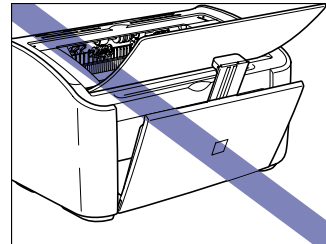
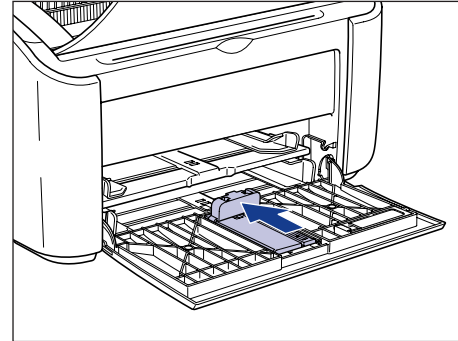


2 Pull out the rear paper guide.

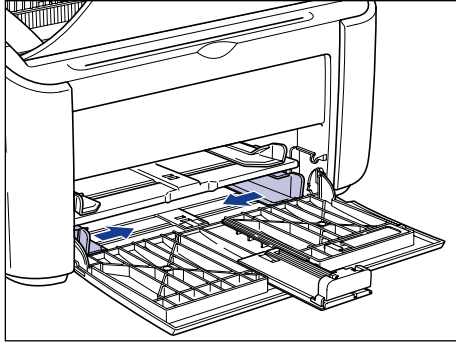


IMPORTANT

Before you close the multi-purpose tray, make sure that you return the rear paper guide to the position shown in the diagram. If you close the multi-purpose tray without returning the paper guide to the position shown, the printer may be damaged.

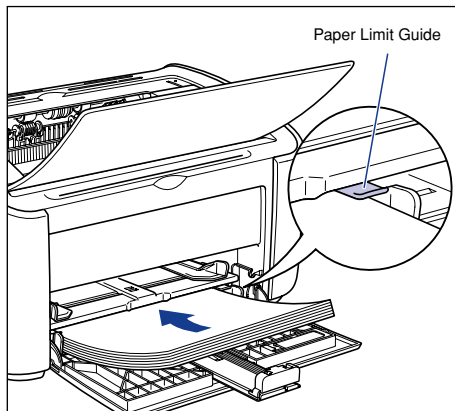


- 3** Push the side paper guides out a little wider than the actual width of the paper.



- 4** Gently load the stack of paper with the printing side facing up until it touches the back of the tray.

Make sure that the paper stack is loaded under the paper limit guides.

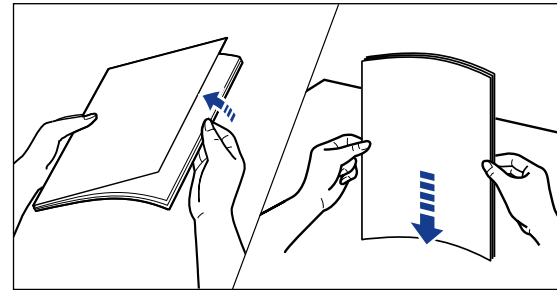


CAUTION

When loading paper, take care not to cut your hands with the edges of the paper.

IMPORTANT

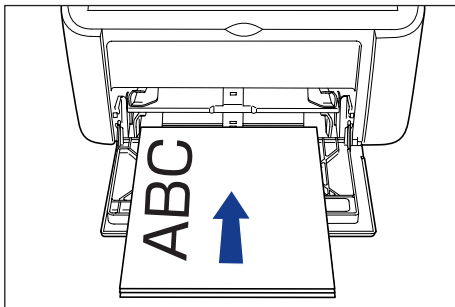
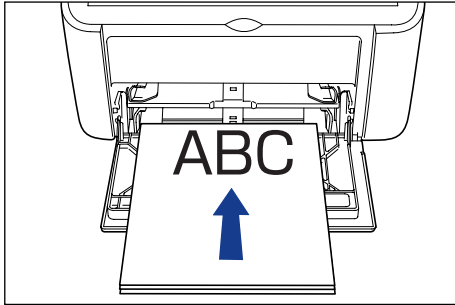
- The number of sheets of plain paper that can be loaded in the multi-purpose tray is approximately 150 (for 64 g/m² paper). Check that there is sufficient clear space between the paper limit guides and the paper. If there is no free space, slightly reduce the amount of paper.
- If you use paper that has been poorly cut, the paper may have a tendency to double-feed. In this case, thoroughly line up the edges of the paper on a flat surface before loading it.



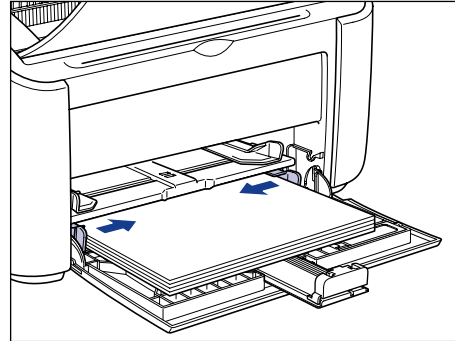
- Load the paper so that it is straight.
- If the rear edge of the paper stack is not properly aligned, it may result in misfeeds or paper jams.
- If the paper is curled or folded at the corners, flatten it out before loading.

 **NOTE**

To print on letterhead paper or paper with a logo already printed on it, load the paper so that the printed side is facing up and the top of the paper is at the far end.

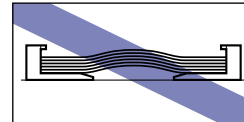
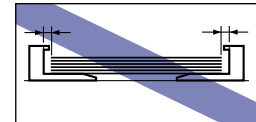
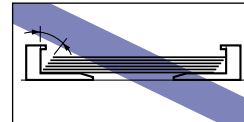


5 Slide the paper guides to fit both sides of the stack.

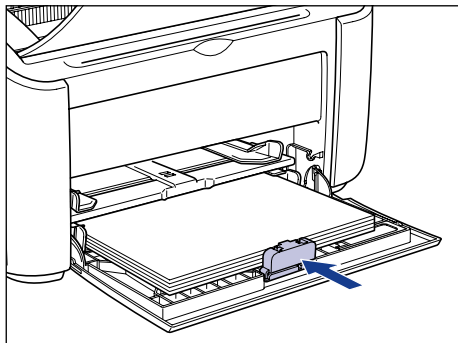


 **IMPORTANT**

Always make sure the paper guides match the width of the paper. If the paper guides are too loose or too tight, the paper will not feed properly and this will cause paper jams.



6 Adjust the rear paper guide to match the paper.

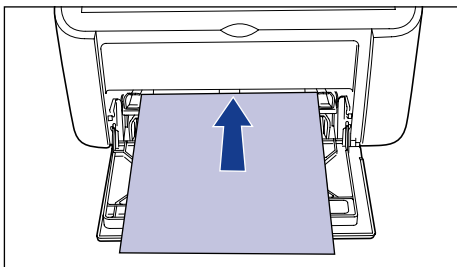


IMPORTANT

Do not touch or pull paper out of the multi-purpose tray during printing. Doing so may cause the printer to malfunction.

Loading Paper in the Manual Feed Tray

The manual feed tray can hold A4, B5, A5, Legal, Letter or Executive size plain paper. You can also load heavy paper, transparencies, label paper, envelopes (Envelope C5, Envelope COM10, Envelope DL, Envelope Monarch) or custom paper of width 76.2 to 215.9 mm and length 127.0 to 355.6 mm. Always load paper lengthways into the manual feed tray.



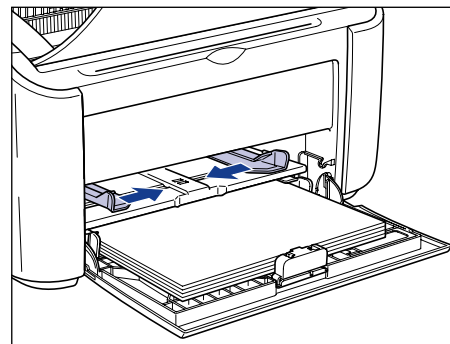
IMPORTANT

- You can only load a single sheet of paper in the manual feed tray.
- You cannot print from the manual feed tray if the printer settings are set to multiple copies or multiple pages. If you start a print job set for multiple copies or multiple pages, the second and subsequent sheets will feed from the multi-purpose tray regardless of the paper size and paper type.
- Do not touch or pull paper out of the manual feed tray during printing. Doing so may cause the printer to malfunction.

1 If the multi-purpose tray is not open, open the multi-purpose tray.

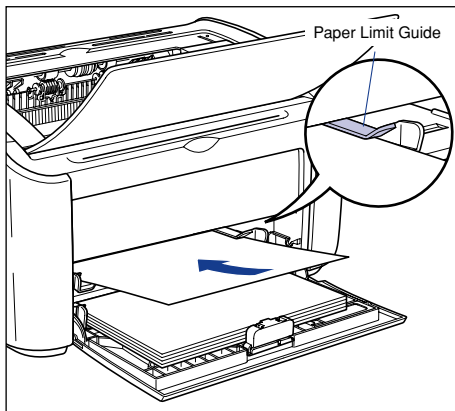
(See "Loading Paper into the Multi-Purpose Tray," on p. 15.)

2 Push the side paper guides out a little wider than the actual width of the paper.



3 Gently load the sheet of paper with the print side facing up until it touches the back of the tray.

Make sure that the paper passes under the paper limit guides.



CAUTION

When loading paper, take care not to cut your hands with the edges of the paper.



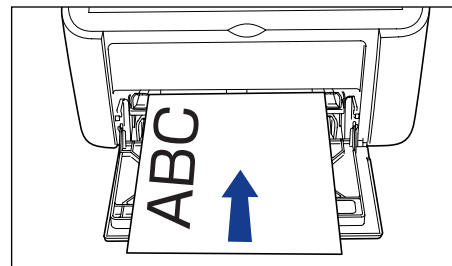
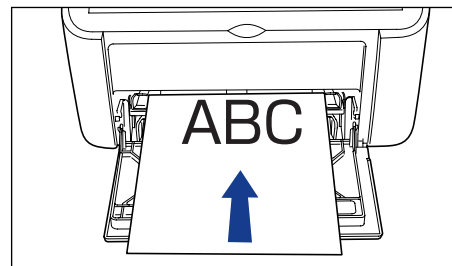
IMPORTANT

- You can only load a single sheet of paper in the manual feed tray.
- Load the paper so that it is straight.
- If the paper is curled or folded at the corners, flatten it out before loading.

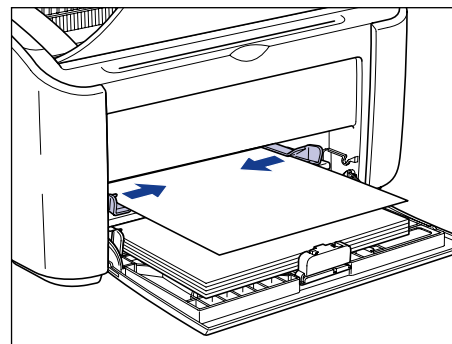


NOTE

To print on letterhead paper or paper with a logo already printed on it, load the paper so that the printed side is facing up and the top of the paper is at the far end.



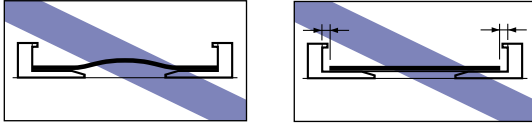
4 Slide the paper guides to fit both sides of the paper.





IMPORTANT

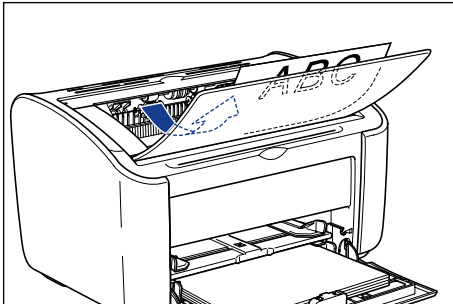
- Always make sure the paper guides match the width of the paper. If the paper guides are too loose or too tight, the paper will not feed properly and this will cause paper jams.



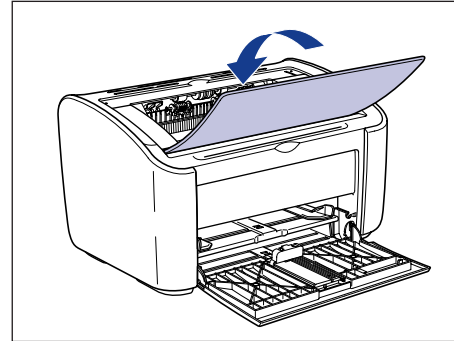
- Do not touch or pull paper out of the manual feed tray during printing. Doing so may cause the printer to malfunction.

Paper Output

Pages are output to the output tray on the top of the printer with the printed side facing down. Open the output tray when you are printing to the output tray.



Close the output tray when you are not using the printer.



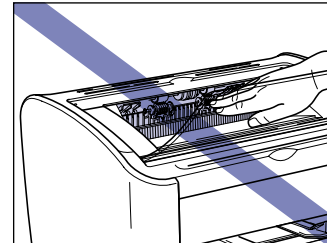
CAUTION

Keep your hands or clothing away from the roller in the output area. Even if the printer is not printing, sudden rotation of the roller may catch your hands or clothing, resulting in personal injury.



IMPORTANT

The area around the output tray becomes very hot during printing and directly after printing. When you are collecting paper from the output tray or clearing a paper jam, be careful not to touch the area around the output tray.



NOTE

The output tray can hold up to approximately 100 sheets of plain paper (64 g/m²).



Connecting the Printer to a Computer and Installing the Software

In this section, connect the printer to a computer with a USB cable, and then install the printer driver.

WARNING

- If you are connecting or disconnecting the USB cable while the printer power plug is connected to a power outlet, make sure that you do not touch the metal parts of the connector. Doing so may cause an electrical shock.
- Do not pull out the USB cable while the computer or printer are turned on. Doing so may damage the printer.

IMPORTANT

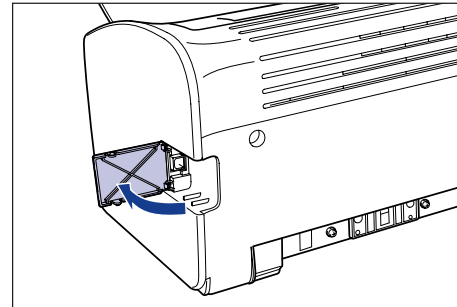
- Do not connect or disconnect the USB cable under the following circumstances. Doing so may cause malfunctions on the computer or printer.
 - While the operating system is starting up right after the computer is turned on
 - While printing
- If you are connecting or disconnecting the USB cable while the computer and printer are turned on, make sure you wait at least 5 seconds after unplugging the cable before reconnecting. Reconnecting the cable immediately after disconnecting it may cause the computer or printer to malfunction.
- This printer performs bidirectional communications while printing. Connecting to print servers, USB hubs and switching devices that require unidirectional communication may cause faulty operation.
- When starting Windows, be sure to log on as a member of Administrators.
- When you turn the printer on for the first time after installing it, a single sheet of white paper may be ejected from the printer. This is not a malfunction.

NOTE

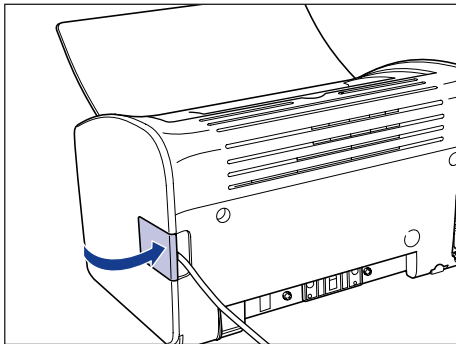
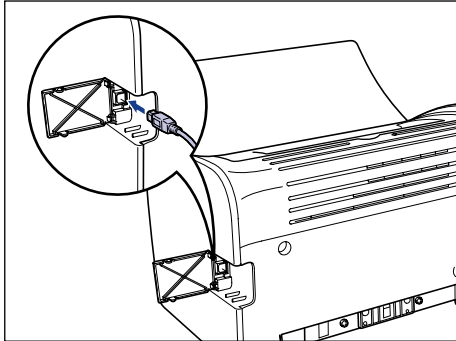
- The screen shots shown in this section are taken from Windows XP Home Edition.
- A USB cable is supplied with this printer only within countries and regions of Asia. In other countries and regions, prepare according to the specifications of your computer.

1 Make sure that the computer and printer are turned off at the power.

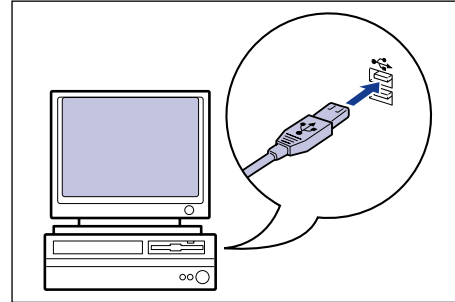
2 Open the USB cover.



- 3** Connect the B-type (square) end of the USB cable to the USB connector on the rear side of the printer, and close the USB cover.



- 4** Connect the A-type (flat) end of the USB cable to the USB port on the computer.



- 5** Turn the computer on and start up Windows.

IMPORTANT

If a Wizard or dialog box appears by the Plug and Play automatic setup, click [Cancel], and then install the CAPT software using this procedure.

- 6** Insert the supplied "LBP2900 User Software" CD-ROM into the CD-ROM drive.

If the CD-ROM is already in the drive, eject the disk and re-insert it into the drive.

IMPORTANT

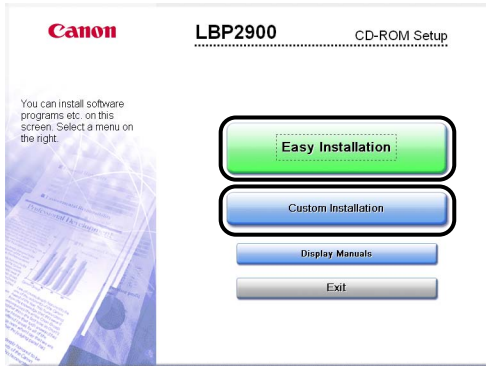
- If you are using Windows Vista and the [AutoPlay] dialog box appears, click [Run AUTORUN.EXE].
- If CD-ROM Setup does not appear, display it using the following procedures. (The CD-ROM drive name is indicated as "D:" in this manual. The CD-ROM drive name may differ depending on the computer you are using.)
 - If you are using an operating system other than Windows Vista, select [Run] from the [Start] menu, enter "D:\English\MInst.exe", and then click [OK].
 - If you are using Windows Vista, enter "D:\English\MInst.exe" in [Start Search] under the [Start] menu, and then press the [ENTER] key on your keyboard.

 **NOTE**

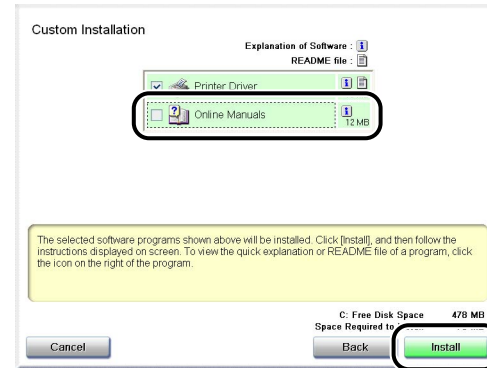
If you are using Windows Vista and the [User Account Control] dialog box appears, click [Allow].

7 Click [Easy Installation] or [Custom Installation].

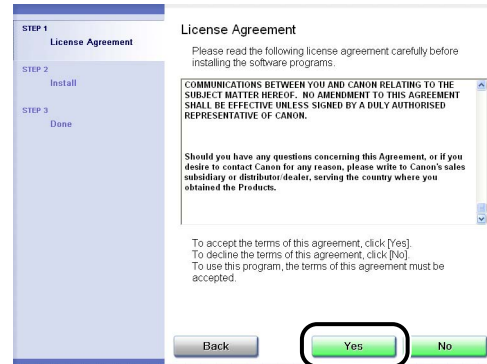
[Easy Installation] allows you to install the printer driver and the instruction manuals simultaneously. If you do not install the manuals, select [Custom Installation].



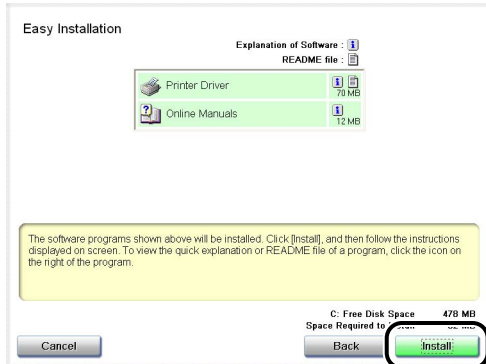
If you selected [Custom Installation] in Step 7, clear the [Online Manuals] check box, and then click [Install].



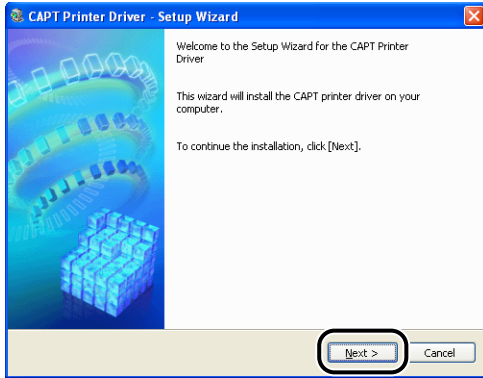
9 Confirm the contents, then click [Yes].



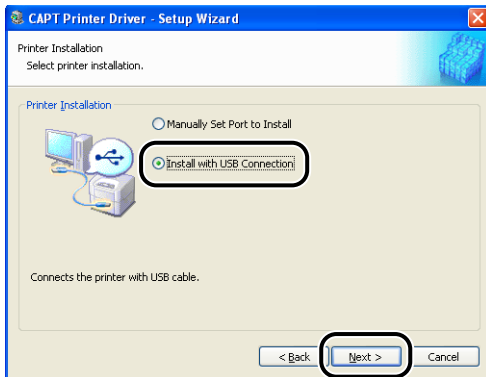
8 Click [Install].



10 Click [Next].




11 Select [Install with USB Connection], then click [Next].

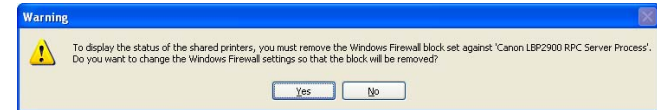


Depending on the system environment, a message that prompts you to restart the computer may appear. In this case, restart the computer and continue the installation.


If you are using Windows XP Service Pack 2 or another operating system equipped with Windows Firewall, the following screen is displayed. Specify whether to configure Windows Firewall to unblock communication with the client computers when sharing the printer on a network.

Click [Yes] when you share the printer on a network. After completing the installation, see "Chapter 3 Setting Up the Printing Environment" in  *User's Guide* and specify the settings for sharing the printer on the network.

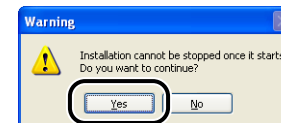
Click [No] when you do not share the printer on a network.



NOTE

Even after the installation, you can change the Firewall settings using "CAPT Windows Firewall Utility" in the supplied CD-ROM. For more details, see "Chapter 7 Appendix" in  *User's Guide*.

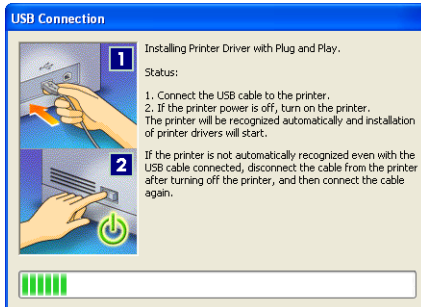
12 The message <Installation cannot be stopped once it starts. Do you want to continue?> appears. Click [Yes].



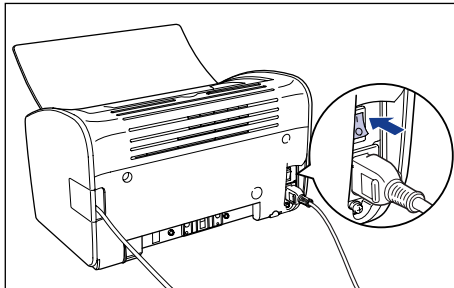
NOTE

- If you are using Windows 2000 and the [Digital Signature Not Found] dialog box appears, click [Yes].
- If you are using Windows XP/Server 2003 and the [Hardware Installation] dialog box appears, click [Continue Anyway].
- If you are using Windows Vista and the [Windows Security] dialog box appears, click [Install this driver software anyway].

13 When the following screen is displayed, turn the printer ON.




Press "I" of the power switch to turn the printer ON.

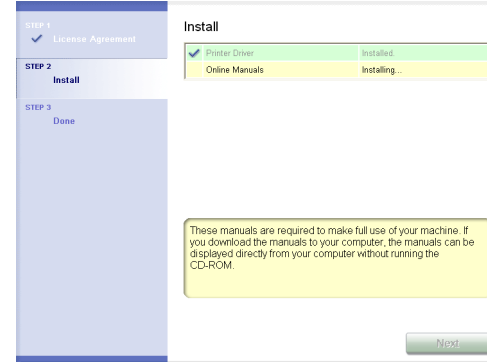


Installation of the USB class driver and the printer driver starts automatically.

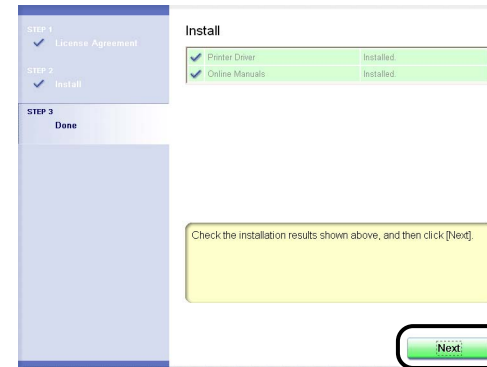
NOTE

- If the printer is not recognized automatically even after the USB cable is connected, see "Chapter 6 Troubleshooting" in  *User's Guide*.
- If you are using Windows XP/Server 2003 and the [Hardware Installation] dialog box appears, click [Continue Anyway].
- If you are using Windows Vista and the [Windows Security] dialog box appears, click [Install this driver software anyway].


14 If [Easy Installation] is selected in Step 7, the manuals are installed.



15 Confirm the installation results, then click [Next].



NOTE

If the driver installation did not finish successfully, see "Chapter 6 Troubleshooting" in  *User's Guide*, then reinstall the CAPT software.

16 Select the [Restart Computer Now (Recommended)] check box, then click [Restart].



Windows restarts.

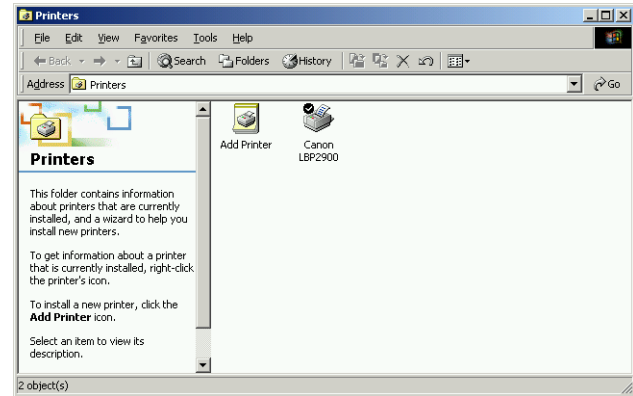
The installation of the USB class driver and the printer driver is completed.

After Completing the Installation

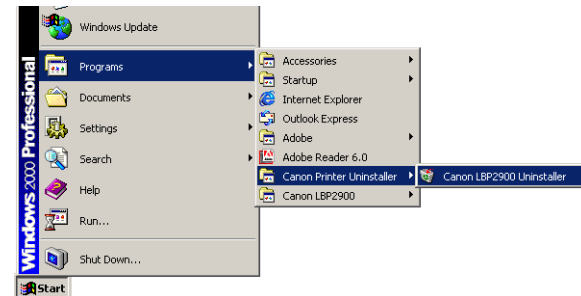
When the CAPT software is finished installing, the following icons and folders will be created.

■ **For Windows 2000**

- A [Canon LBP2900] printer icon is displayed in the [Printers] folder.

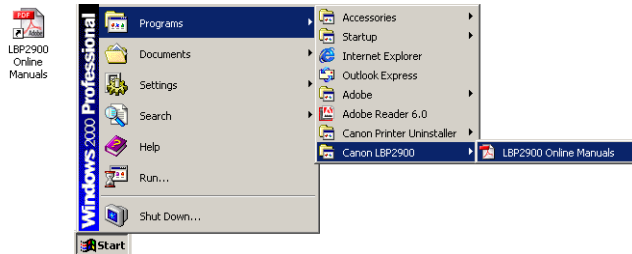


- [Canon Printer Uninstaller] is added to [Programs] under the [Start] menu.



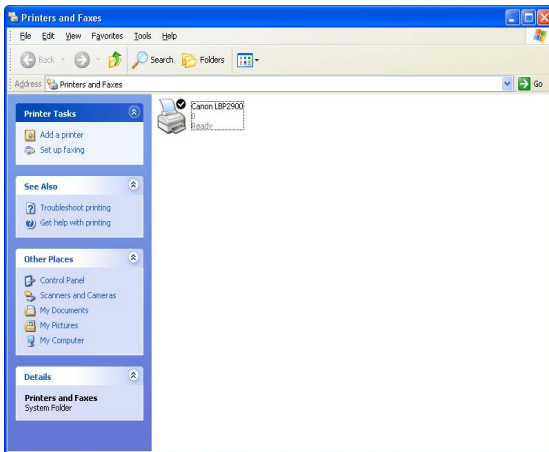
Step
5

- If the manuals are installed, [LBP2900 Online Manuals] is created on the desktop, and [LBP2900 Online Manuals] under [Canon LBP2900] is added to [Programs] under the [Start] menu.

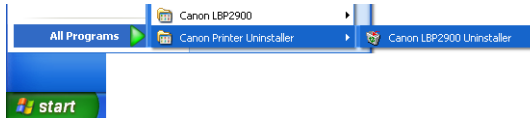


■ For Windows XP/Server 2003

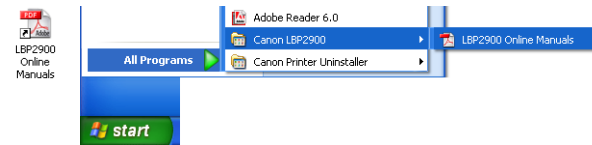
- A [Canon LBP2900] printer icon is displayed in the [Printers and Faxes] folder.



- [Canon Printer Uninstaller] is added to [All Programs] under the [Start] menu.

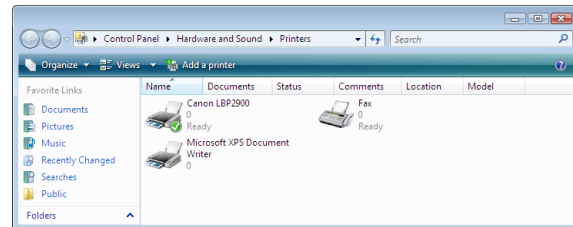


- If the manuals are installed, [LBP2900 Online Manuals] is created on the desktop, and [LBP2900 Online Manuals] under [Canon LBP2900] is added to [All Programs] under the [Start] menu.

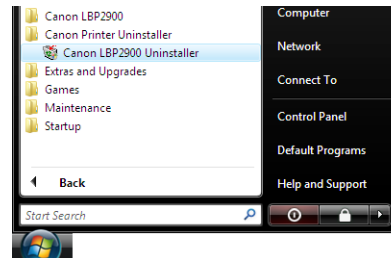


■ For Windows Vista

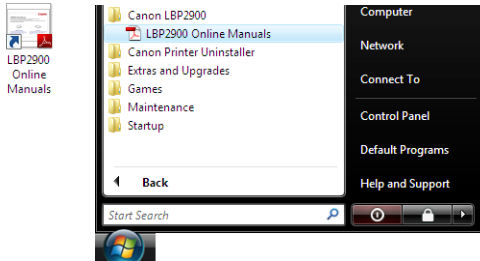
- The [Canon LBP2900] printer icon is displayed in the [Printers] folder.



- [Canon Printer Uninstaller] is added to [All Programs] under the [Start] menu.



- If the manuals are installed, [LBP2900 Online Manuals] is created on the desktop, and [LBP2900 Online Manuals] under [Canon LBP2900] is added to [All Programs] under the [Start] menu.



Printing a Test Page

Before using the printer for the first time, be sure to print a test page using the following procedure.

NOTE

The screen shots shown in this section are taken from Windows XP Home Edition.

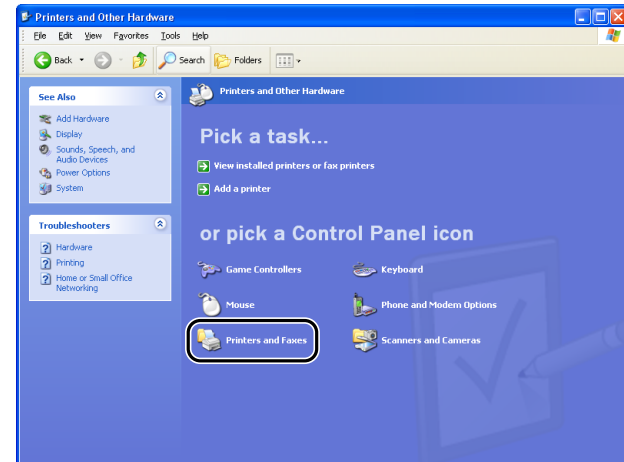
1 Open the [Printers and Faxes] or [Printers] folder.

For Windows 2000: Select [Settings] → [Printers] from the [Start] menu.

For Windows XP Professional/Server 2003: Select [Printers and Faxes] from the [Start] menu.

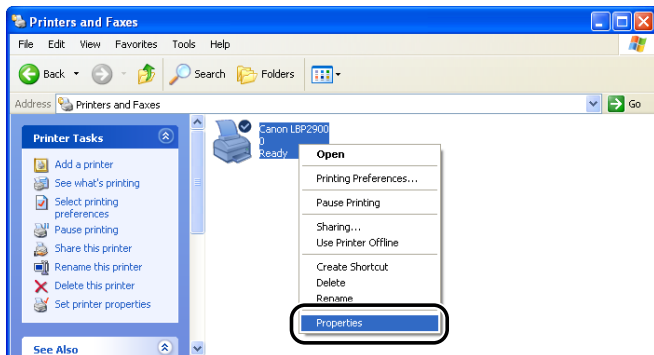
For Windows XP Home Edition: Select [Control Panel] from the [Start] menu, then click [Printers and Other Hardware] → [Printers and Faxes].

For Windows Vista: From the [Start] menu, select [Control Panel], and then click [Printer].



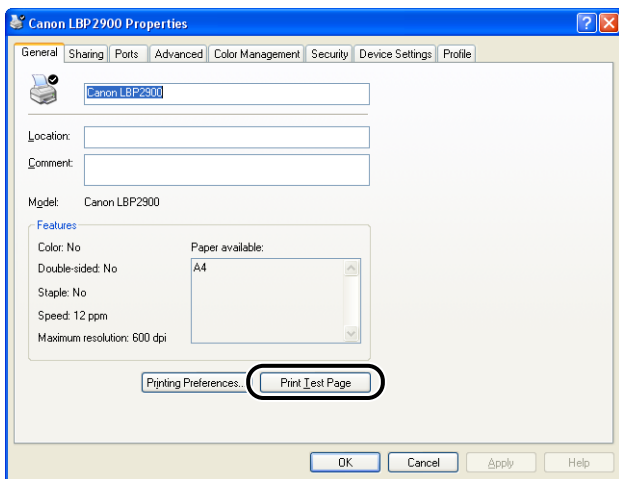
The [Printers and Faxes] or [Printers] folder is displayed.

- 2** Right-click the [Canon LBP2900] icon, then select [Properties] from the pop-up menu.



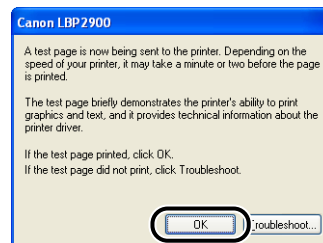
The [Properties] dialog box for the printer is displayed.

- 3** Click [Print Test Page] on the [General] sheet.



The printer will begin printing a test page.

- 4** If the page is printed correctly, click [OK] or [Close].



NOTE

If the test page does not print correctly, refer to Chapter 6 "Troubleshooting" in the *User's Guide* for details on re-installing the CPT driver.

The printer is now ready to print. Make sure you read the *User's Guide* thoroughly in order to get the most out of your printer's features.

Displaying the Manuals

This section describes the procedures for displaying the following manuals in PDF format.

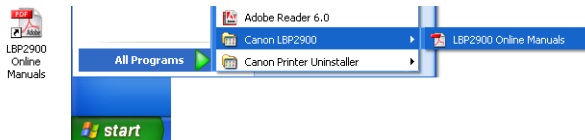
Instruction Manual Name	Contents
Getting Started Guide (this manual)	Describes the procedure for installing this printer and the preparations needed before you can print with this printer.
User's Guide	Describes the printing procedures, routine maintenance, and troubleshooting.

IMPORTANT

To display the manuals in PDF format, Adobe Reader/Adobe Acrobat Reader is required. If Adobe Reader/Adobe Acrobat Reader is not installed on your system, download it from the Adobe Systems Incorporated website.

When Displaying a Manual Installed on a Computer

[LBP2900 Online Manuals] is displayed by double-clicking the shortcut icon created on the desktop when the manuals were installed or selecting [Canon LBP2900] - [LBP2900 Online Manuals] added to [All Programs] ([Programs] for Windows 2000) under the [Start] menu. Clicking either of [Getting Started Guide] or [User's Guide] displays the respective manuals.



Displaying the Manuals from CD-ROM Setup

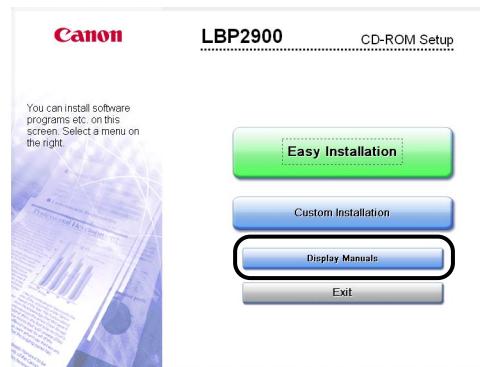
Display the manuals from the CD-ROM supplied with the printer.

1 Insert the supplied "LBP2900 User Software" CD-ROM into the CD-ROM drive.

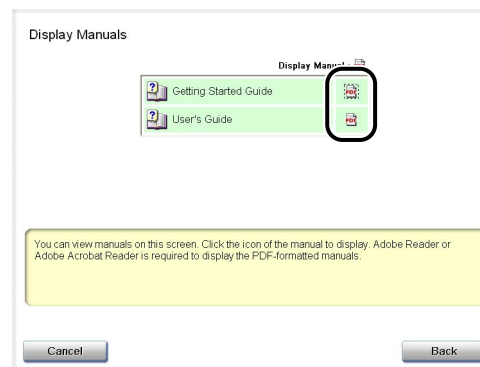
NOTE

- If you are using Windows Vista and the [AutoPlay] dialog box appears, click [Run AUTORUN.EXE].
- If CD-ROM Setup does not appear, display it using the following procedures. (The CD-ROM drive name is indicated as "D:" in this manual. The CD-ROM drive name may differ depending on the computer you are using.)
 - If you are using an operating system other than Windows Vista, select [Run] from the [Start] menu, enter "D:\English\MInst.exe", and then click [OK].
 - If you are using Windows Vista, enter "D:\English\MInst.exe" in [Start Search] under the [Start] menu, and then press the [ENTER] key on your keyboard.
- If you are using Windows Vista and the [User Account Control] dialog box appears, click [Allow].

2 Click [Display Manuals].



3 Click next to the name of the desired guide.




Appendix

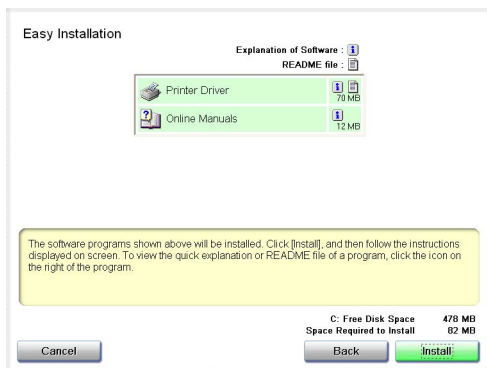
About the CD-ROM

■ CAPT (Canon Advanced Printing Technology) software

The CAPT (Canon Advanced Printing Technology) software that is supplied on the included CD-ROM must be installed before you can print using your printer. Make sure that this software is installed on the computer that you are using.

NOTE

Be sure to read the README file by clicking  on the installation window before installing.



About CD-ROM Setup

When the CD-ROM is inserted into the CD-ROM drive, the following CD-ROM Setup starts automatically.

You can begin the installation of different pieces of software from the CD-ROM Setup.



● Easy Installation


Clicking this button allows you to install the printer driver and the instruction manuals simultaneously.

● Custom Installation

Clicking this button allows you to select whether to install the printer driver only or install the manuals only.

● Display Manuals

Clicking this button displays the manuals for LBP2900 ([Getting Started Guide] and [User's Guide]).

Clicking  next to each guide displays the respective PDF manuals. To display the manuals in PDF format, Adobe Reader/Adobe Acrobat Reader is required. If Adobe Reader/Adobe Acrobat Reader is not installed on the system you are using, download it from the Adobe Systems Incorporated website.

* The following PDF manuals are included in the "Manuals" folder in the supplied CD-ROM.

Getting Started Guide: Manual_1.pdf

User's Guide: Manual_2.pdf

● Exit

Clicking this button closes the CD-ROM Setup.



NOTE

- If you are using Windows Vista and the [AutoPlay] dialog box appears, click [Run AUTORUN.EXE].
- If CD-ROM Setup does not appear, display it using the following procedures. (The CD-ROM drive name is indicated as "D:" in this manual. The CD-ROM drive name may differ depending on the computer you are using.)
 - If you are using an operating system other than Windows Vista, select [Run] from the [Start] menu, enter "D:\English\MInst.exe", and then click [OK].
 - If you are using Windows Vista, enter "D:\English\MInst.exe" in [Start Search] under the [Start] menu, and then press the [ENTER] key on your keyboard.
- If you are using Windows Vista and the [User Account Control] dialog box appears, click [Allow].



CANON INC.

30-2, Shimomaruko 3-chome, Ohta-ku, Tokyo 146-8501, Japan

CANON MARKETING JAPAN INC.

16-6, Konan 2-chome, Minato-ku, Tokyo 108-8011, Japan

CANON U.S.A., INC.

One Canon Park, Melville, NY 11747, U.S.A.

CANON EUROPA N.V.

Bovenkerkerweg 59, 1185 XB Amstelveen, The Netherlands

CANON CHINA CO. LTD.

2F Jinbao Building No.89, Jinbao Street, Dongcheng District, Beijing 100005, PRC

CANON SINGAPORE PTE LTD

1 Fusionopolis Place, #15-10, Galaxis, Singapore 138522

CANON AUSTRALIA PTY LTD

Building A, The Park Estate, 5 Talavera Road, Macquarie Park, NSW 2113, Australia

CANON GLOBAL WORLDWIDE SITES

<http://www.canon.com/>